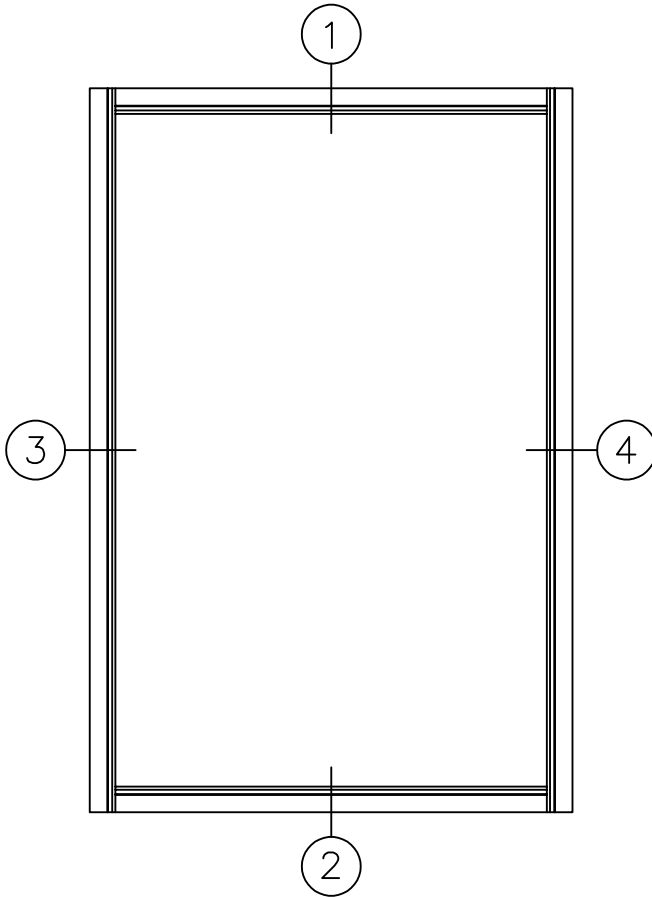


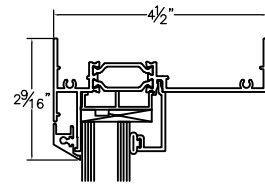


STANDARD DETAILS.....	4
DUAL GLAZING.....	5
SCROLL / SQUARE PANNING	6
WRAP AROUND PANNING / RECEPTOR SYSTEM	7

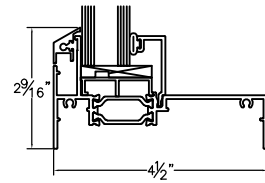
EFCO reserves the right to change configurations without prior notice when deemed necessary for product improvement. For specific product applications, consult your EFCO representative.



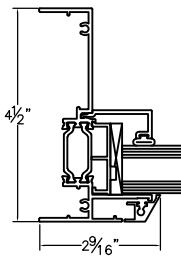
1
Head



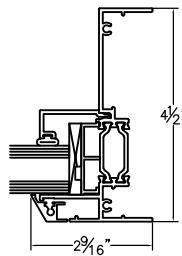
2
Sill



Typical Elevation



3
Jamb

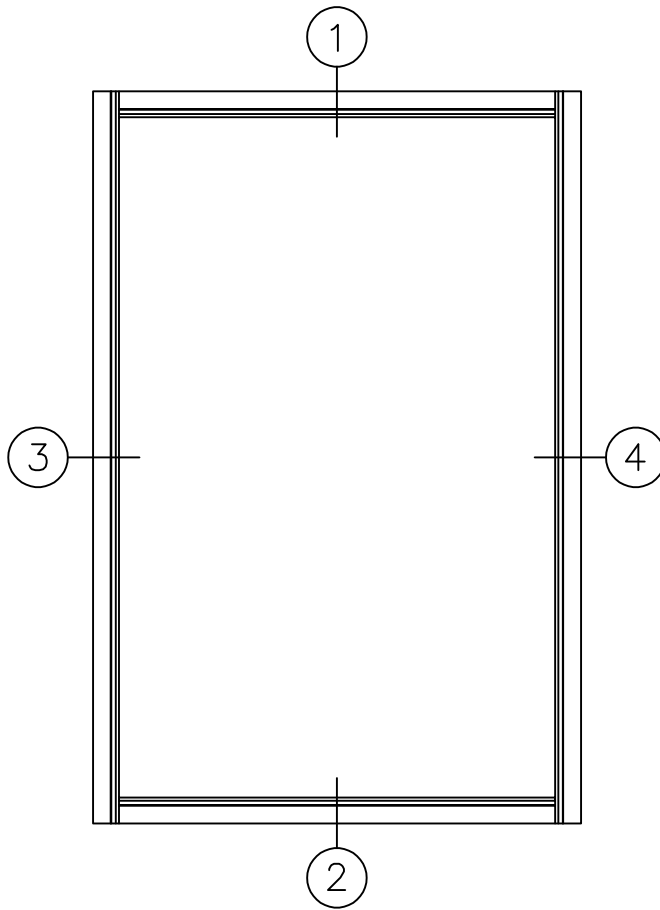


4
Jamb

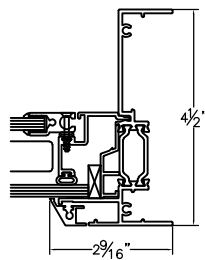
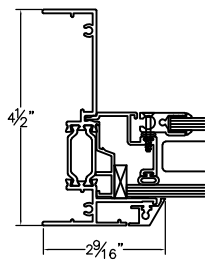
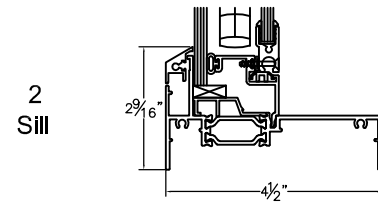
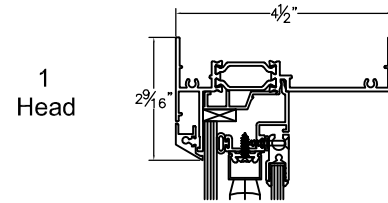


Series FX45 Fixed

DUAL GLAZING WITH 5/8" BLINDS

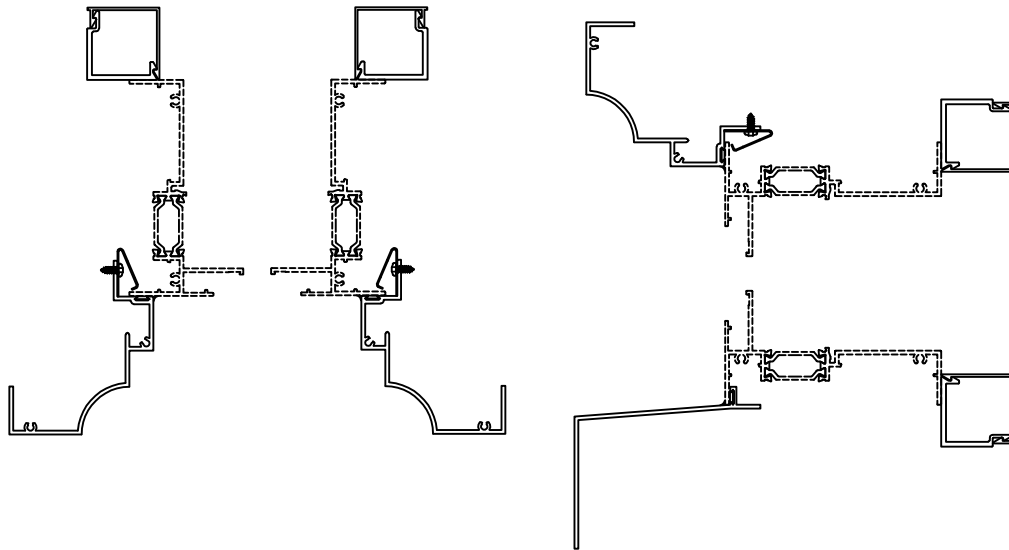


Typical Elevation

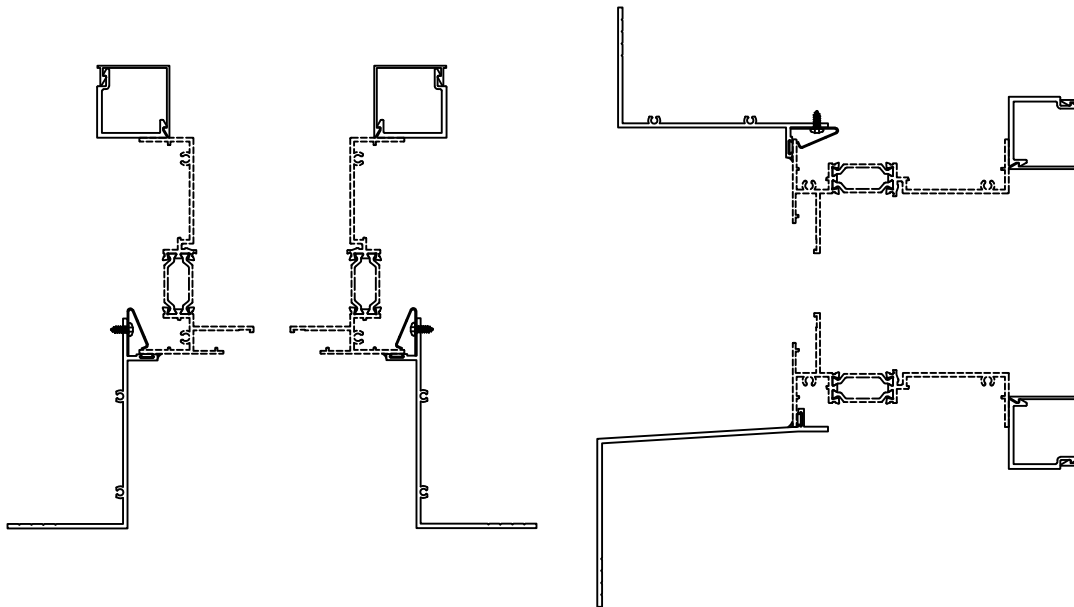




Scroll Panning

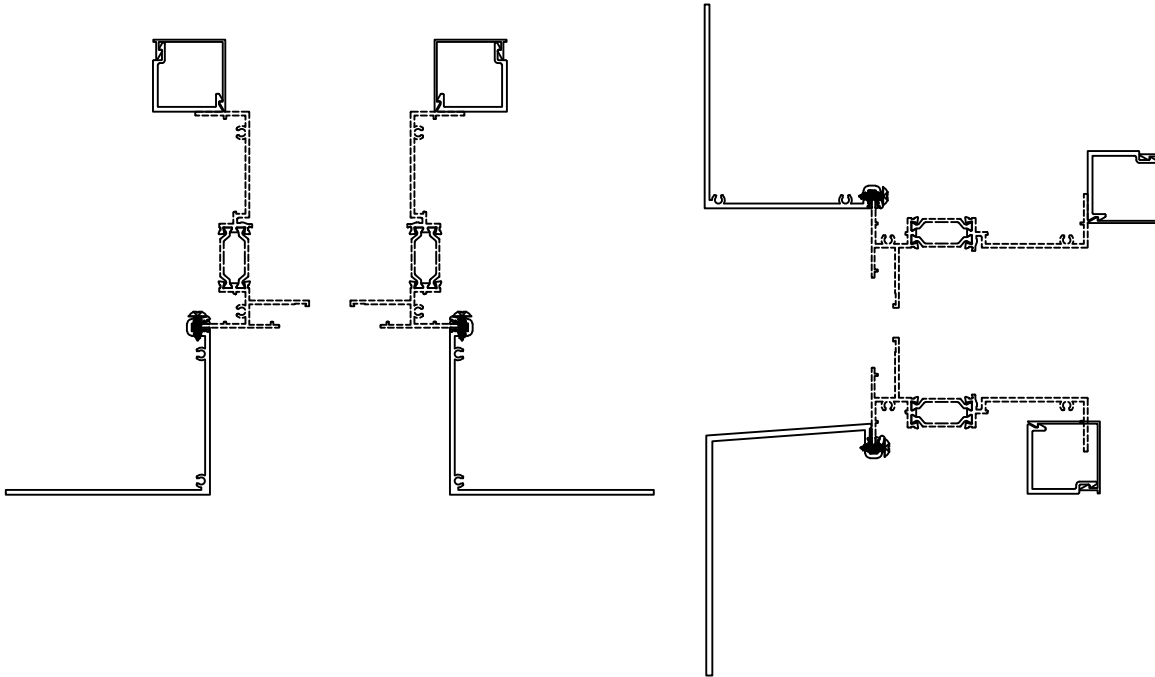


Square Panning





Wrap Around Panning



Subframe/Receptor System

