



System 5600 PG

2 1/2" Factory and Pre-Glazable Curtain Wall



CONFIGURATIONS

Outside Glazed - Captured • 2-sided SSG, and 4-sided SSG

The 5600PG is a versatile curtain wall system that can be provided in stock lengths, Pre-glaze capability for customers, and Factory fabricated/assembled & glazed. Also Available for enhanced thermal performance and fewer installation steps is the Duracast® pressure plate, made of Pella's patented fiberglass pultrusion

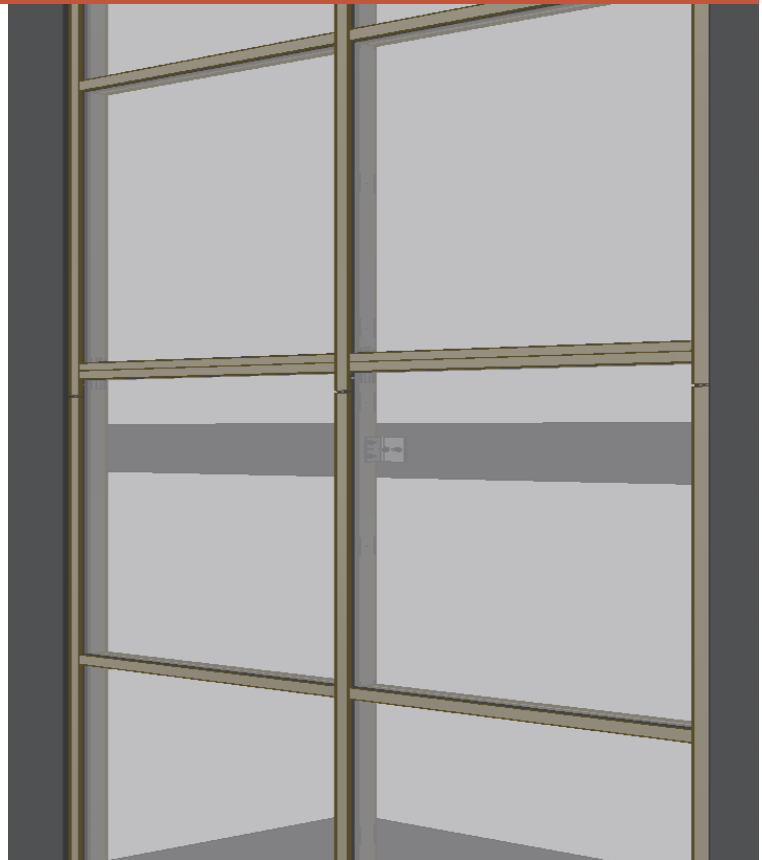
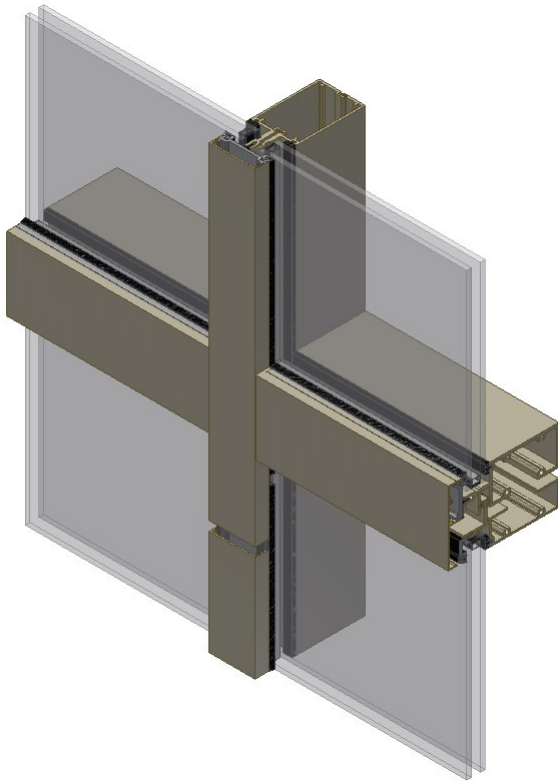
Features

Benefits

6", 7.5", 10" systems	Provides design flexibility
Impact capable	Can meet impact requirements
Splice sleeve doubles as lifting lug	Reduced installation labor
Aluminum and Duracast pressure plate options	Improved thermal performance
Single or multi-span capability	Increased product versatility
Sunshade, vent, and entry door capabilities	Multiple options to answer aesthetic and design challenges
EPDM gaskets	Standard gasket offering
Utilizes anti-buckling clips	Ease of installation for vertical engagement
Factory/shop pre-glazable	Controls field labor costs
Accepts all EFCO 2.5" pressure plates and covers	

System 5600 PG

2 1/2" Factory and Pre-Glazable Curtain Wall



PERFORMANCE DATA

SERIES 5600 PG OUTSIDE GLAZED CURTAIN WALL

AIR INFILTRATION.....<.10 CFM/SF @ 6.24 PSF
 WATER.....NO LEAKAGE >15.0 PSF
 STRUCTURAL.....visit MyEFCO at www.efcocorp.com

SERIES 5600 PG CONCEALED VENT

AIR INFILTRATION.....<.30 CFM/SF @ 6.24 PSF
 WATER.....NO LEAKAGE >15.0 PSF
 STRUCTURAL.....visit MyEFCO at www.efcocorp.com

Note: All performance value data is based on laboratory testing per AAMA 501/11.5.2/A440 for Air/Water/Structural, ASTM E90 and or E413 for Acoustical, AAMA 507 and or NFRC 100/200/500 for UFactors and AAMA 1503 for Condensation Resistance Factor (CRF). Printed values are subject to change pending the frequency of recertification testing. Field results will vary depending on size, the field test method, the addition of sub-frames, panning, mullions, accessories and installation into the surrounding condition.

5600 PG THERMAL U-FACTORS*	
CENTER OF GLASS U-FACTOR	CONFIGURATION AND SIZE
	FX/FX** 78 3/4" X 78 3/4"
0.46	0.59
0.34	0.50
0.30	0.46
0.24	0.41
0.20	0.38

* Based on NFRC 100
 **NFRC Gateway size

*EFCO CERTIFIES SERIES 5600 2, 2 1/2, 3, 4, 5, AND 6" WIDE SYSTEMS MEET THE ABOVE AIR (ASTM E 283) AND WATER (ASTM E 331) PERFORMANCE. CONTACT EFCO FOR MORE INFORMATION.

AVAILABLE SYSTEM DEPTHS	SYSTEM DEPTH		
	6"	7-1/2"	10"
OUTSIDE GLAZED	A	A	A
2- AND 4-SIDED STRUCTURAL GLAZED	A	A	A

A - Available System Depth
 Blank - N/A

INTEGRAL S-5600 GLAZING CHART		POLYCARBONATE		GLASS OR PANEL														
		1/8"	3/16"	1/4"	1/8"	.156**	3/16"	.200**	1/4"	1/4**	1/2"	5/8"	3/4"	7/8"	1"	1-1/8"	1-1/4"	
OUTSIDE GLAZED	MONOLITHIC GLASS	C	C	A	C	C	C	C	A	A	C	C	C	C				
	INSULATED GLASS														A	C	A	
STRUCTURAL GLAZED	MONOLITHIC GLASS			A					A	A	A							
	INSULATED GLASS													A			A	

*Obscure glass thickness
 **Laminated glass thickness
 A - Available Glazing Option
 C - Custom pressure plate, adaptor and/or gasket required
 Blank - N/A



System 5600 PG

2 1/2" Factory and Pre-Glazable Curtain Wall

Main Frame Construction

System 5600PG curtain wall has various system depths. Sight lines are nominally 2 1/2" and present a clean, attractive appearance. Members are extruded from 6063-T6 aluminum alloy, and the nominal material wall thickness is .093" to .100". Joint construction utilizes the screw spline. See Illustration 1.

Concealed Vent Construction

System 5600PG curtain wall has optional concealed vents that utilize screw spline construction.

Thermal Barrier

System 5600PG curtain wall members are thermally improved using vinyl gasket to isolate exterior and interior extrusions.

Sunshade Information

System 5600PG curtain wall has optional sunshades available in five standard depths. Sunshade blades available in various sizes. Members are extruded from 6063-T6 aluminum alloy. Sunshade clips and arms are fabricated on a CNC machine. Joint construction utilizes screw spline construction. *Note: Structural design loads will determine the sunshade depth and clip spacing limitations.

Glazing

System 5600PG curtain wall is an outside glazed system with captured, 2 sided SSG and 4 sided SSG options. It is available in stock length, Pre-glaze capability for customers and Factory fabricated/assembled & glazed. Series 5600PG accommodates 1/4"- 1 1/4" infill panels. Dual glazing is available with internal blinds.

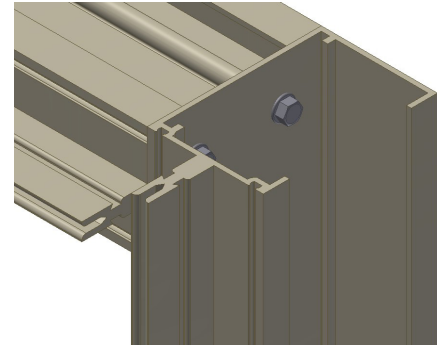


Illustration 1