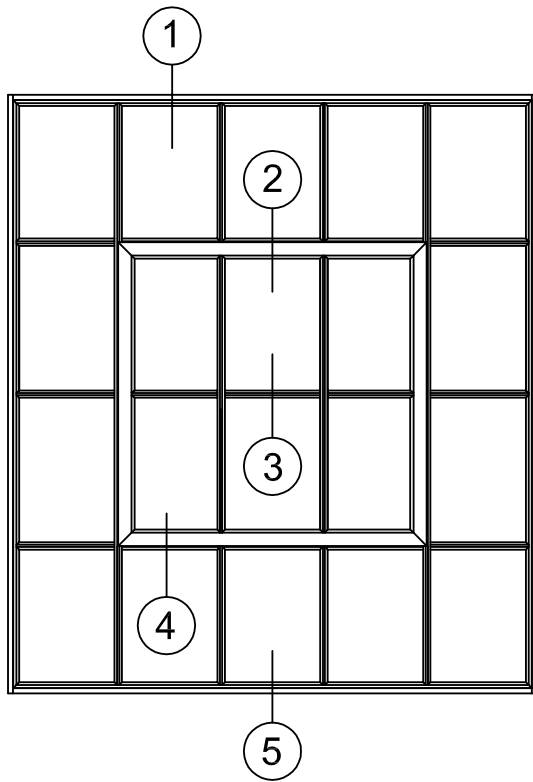


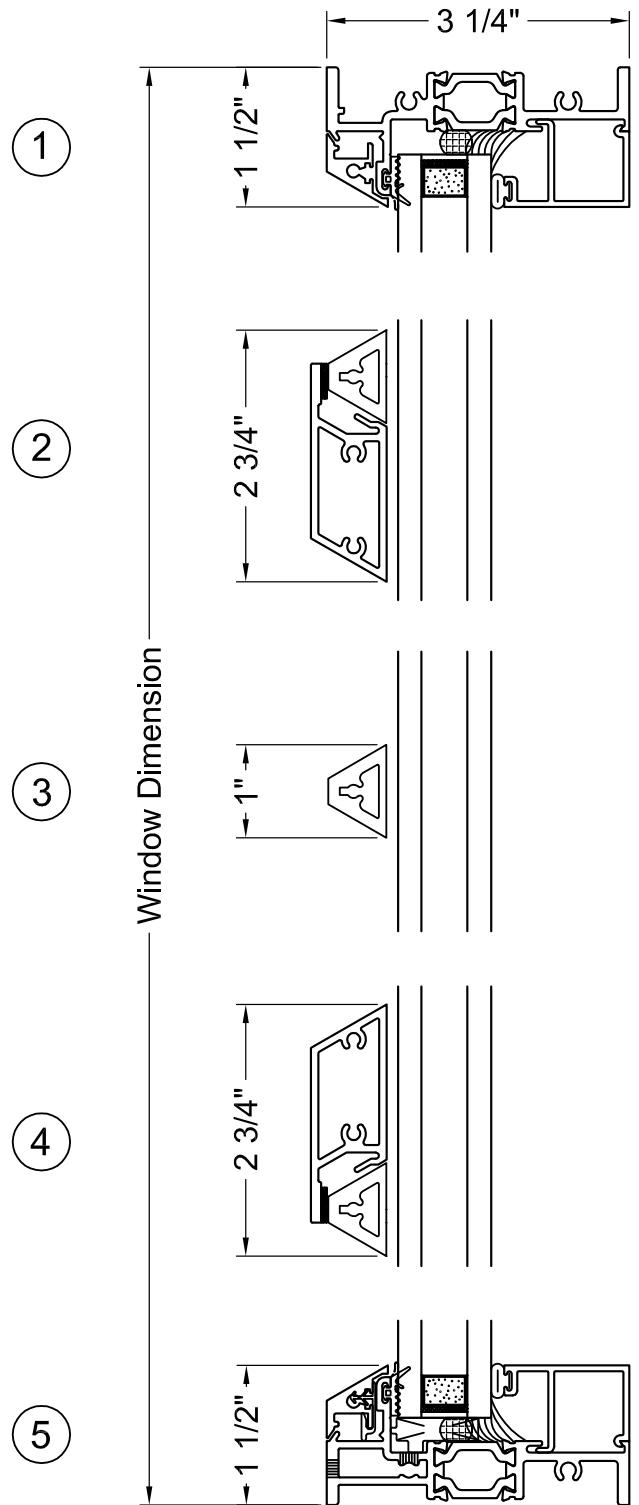


**BEVEL GRID DETAILS..... 4 - 18**  
**COVE GRID DETAILS ..... 19 - 31**  
**T GRID DETAILS..... 32 - 44**  
**MEETING RAILS..... 45**  
**STACK DETAILS..... 46**  
**MULLION DETAILS..... 47**  
**PANNING DETAILS..... 48**  
**SUBFRAME DETAILS..... 49**  
**MISCELLANEOUS DETAILS..... 50**

EFCO reserves the right to change configurations without prior notice when deemed necessary for product improvement. For specific product applications, consult your EFCO representative.



Typical Elevation



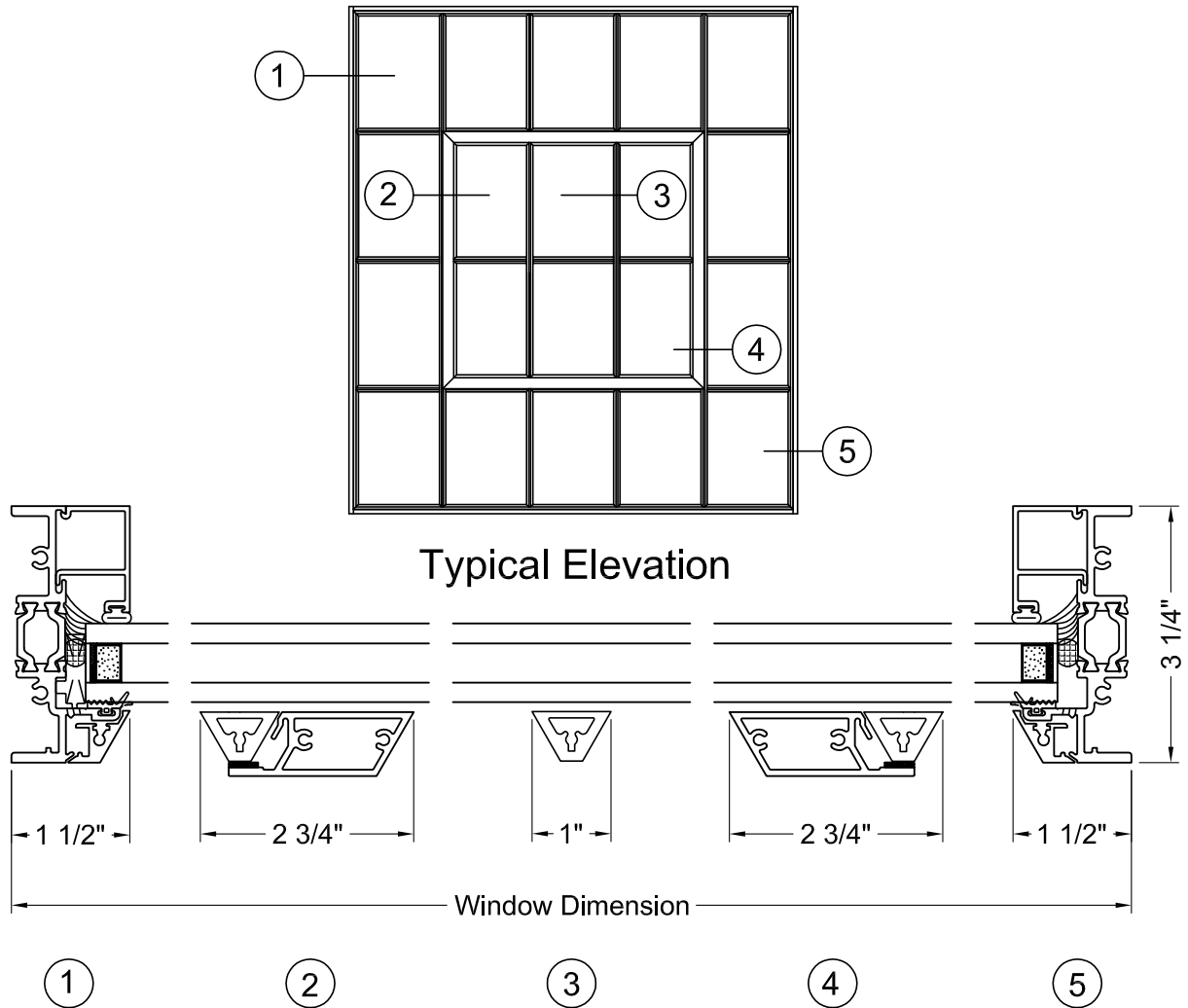
Note: Faux vent configuration is only available with beveled grid at this time. Contact your EFCO representative for more information.

Scale: 6" = 1'-0"



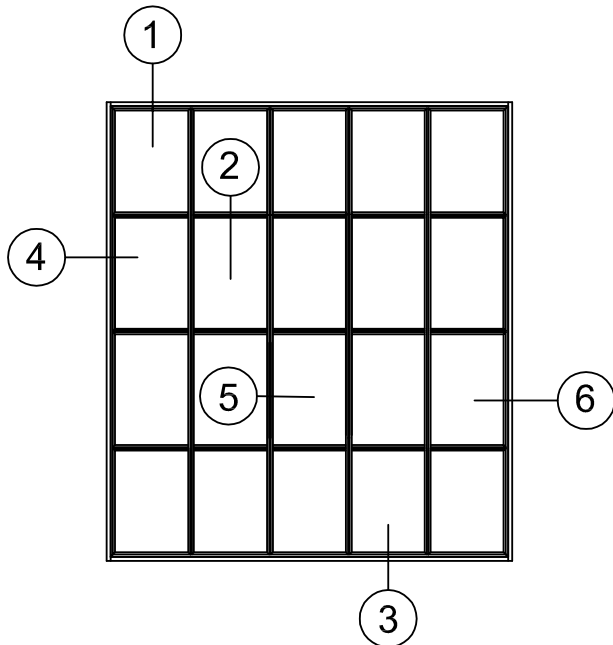
# 590X 3-1/4" Steel Replica Window

## Faux Vent - Vertical Details

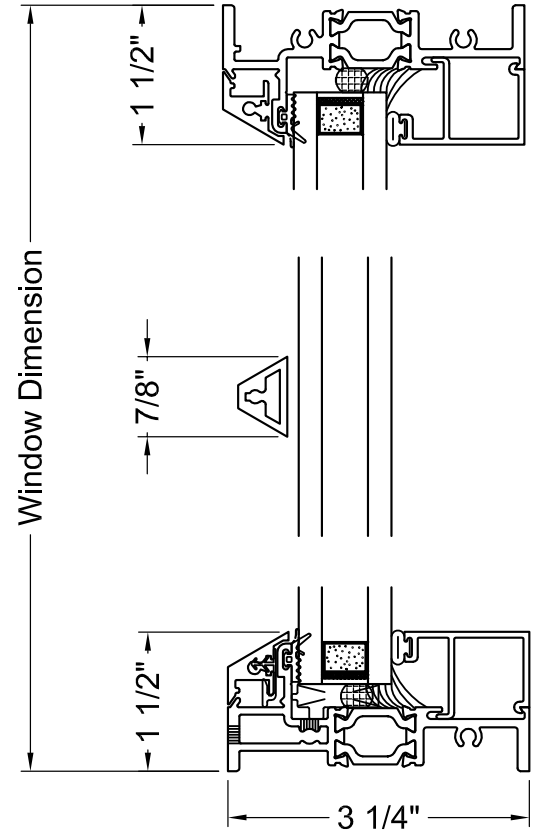
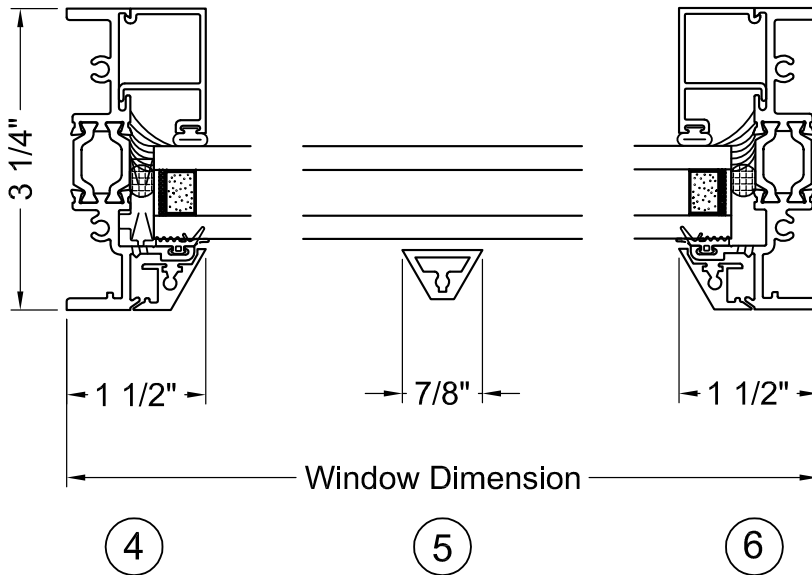


Scale: 6" = 1'-0"

Note: Faux vent configuration is only available with beveled grid at this time. Contact your EFCO representative for more information.



Typical Elevation



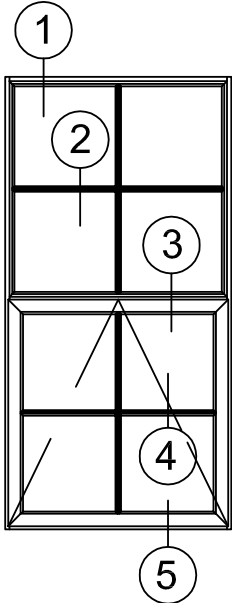
Note: Multiple configurations available. Contact your EFCO representative for more information.

Scale: 6" = 1'-0"

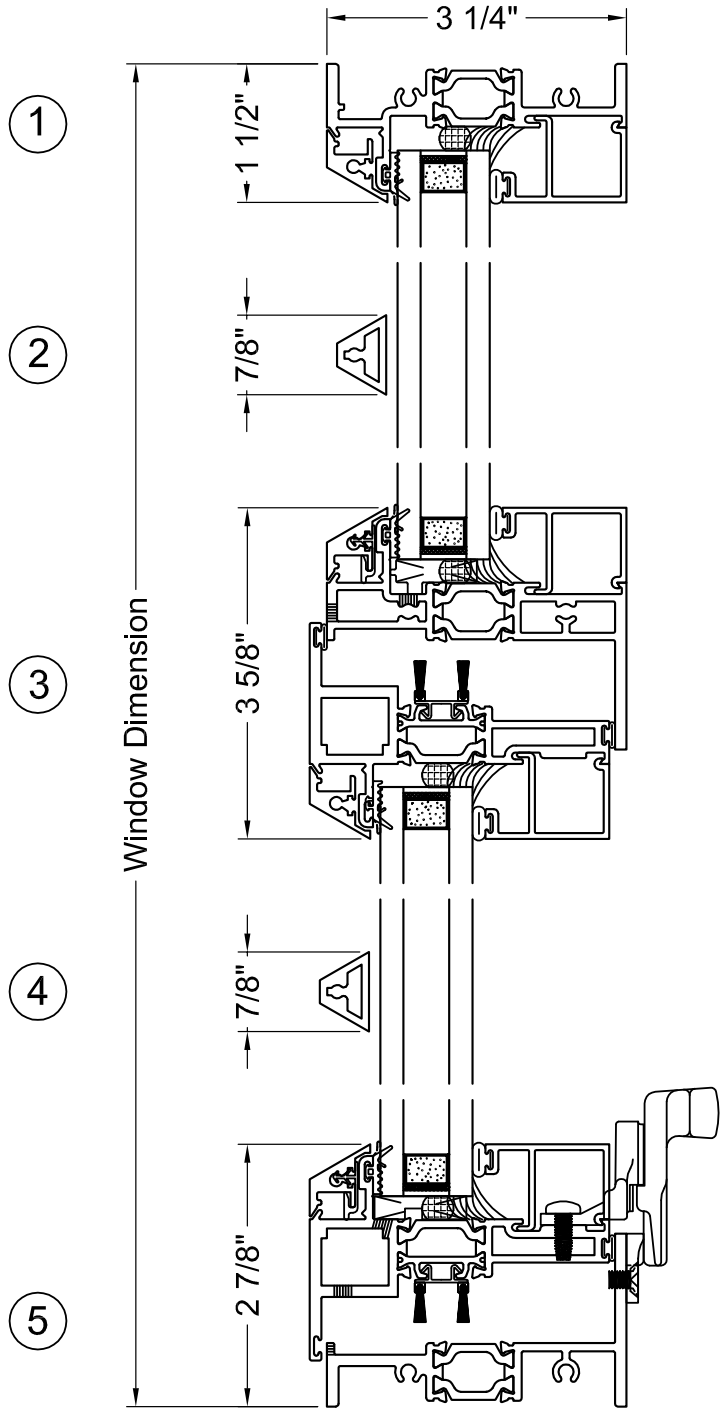


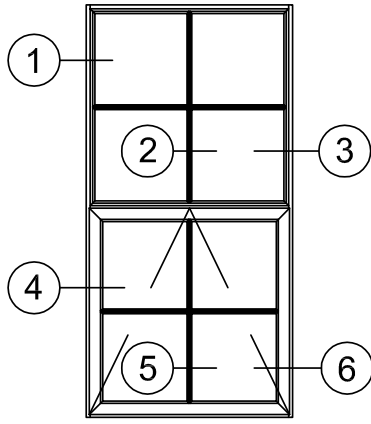
# 590X 3-1/4" Steel Replica Window

FX/PO - Horizontal Details

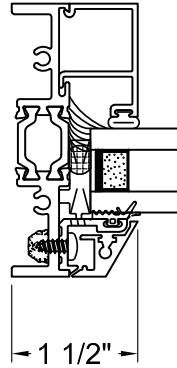


Typical Elevation

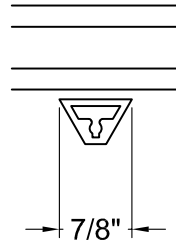




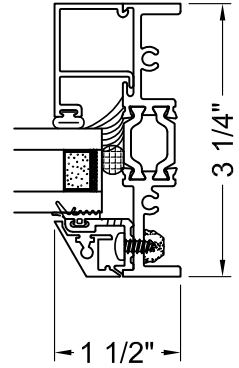
Typical Elevation



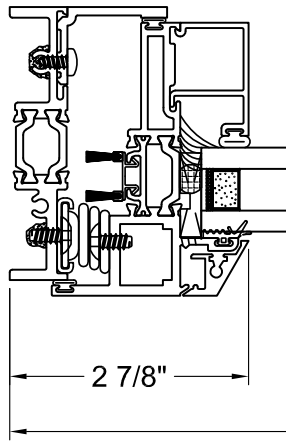
1



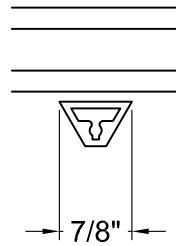
2



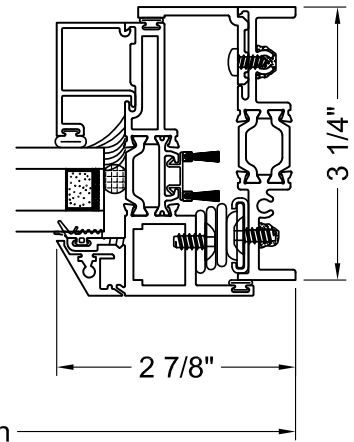
3



4



5



6

Window Dimension

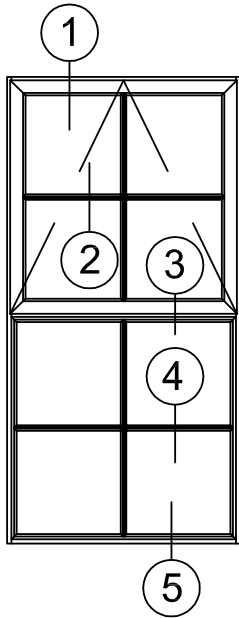
Note: Multiple configurations and hardware options available. Contact your EFCO representative for more information.

Scale: 6" = 1'-0"

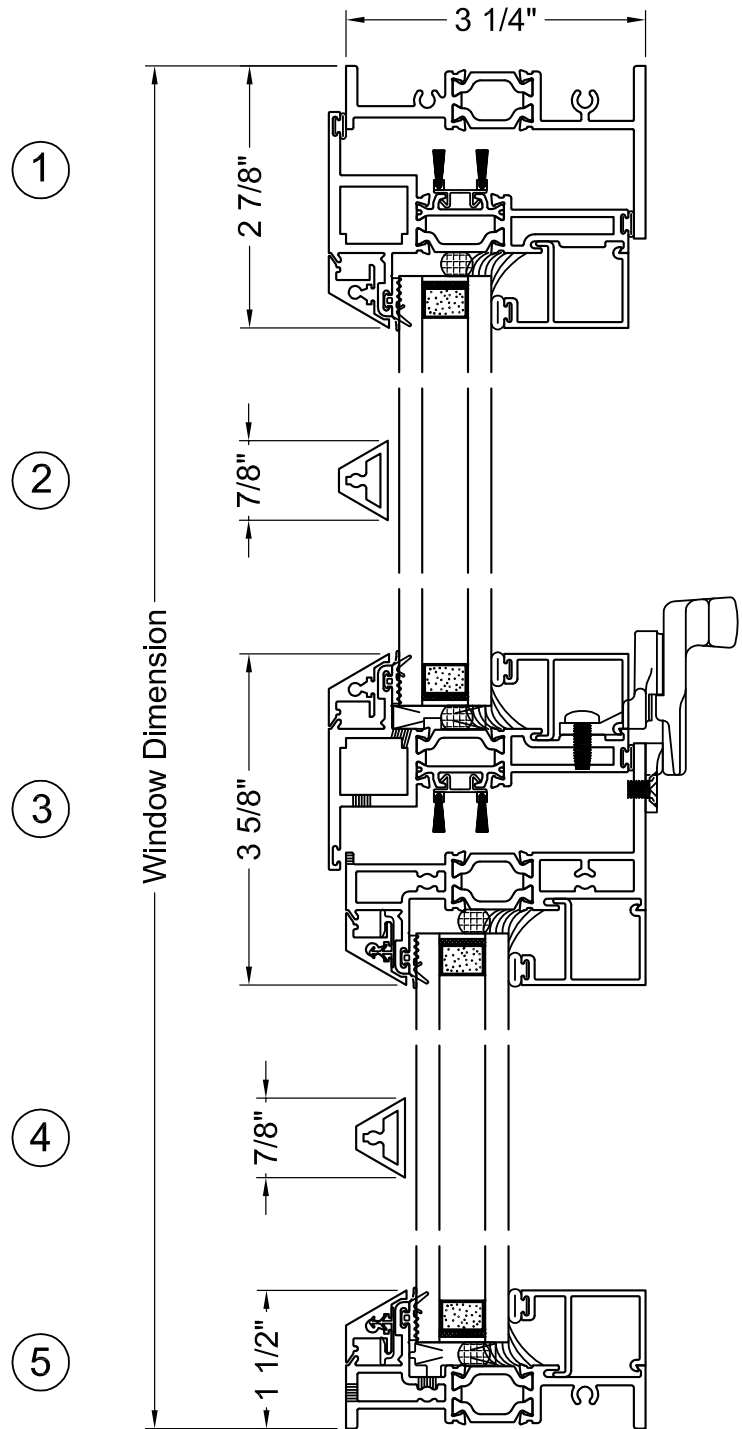


# 590X 3-1/4" Steel Replica Window

PO/FX - Horizontal Details

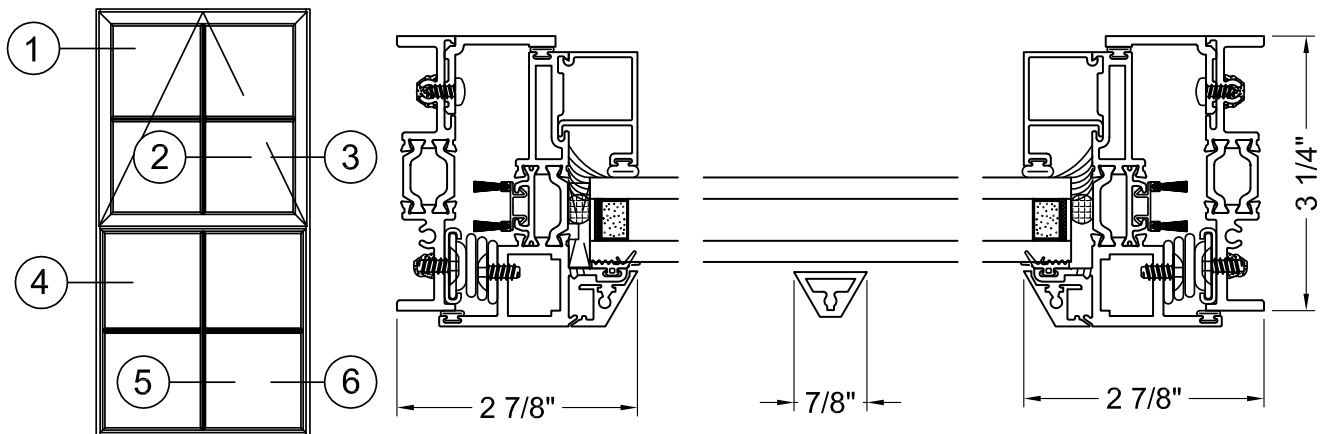


Typical Elevation

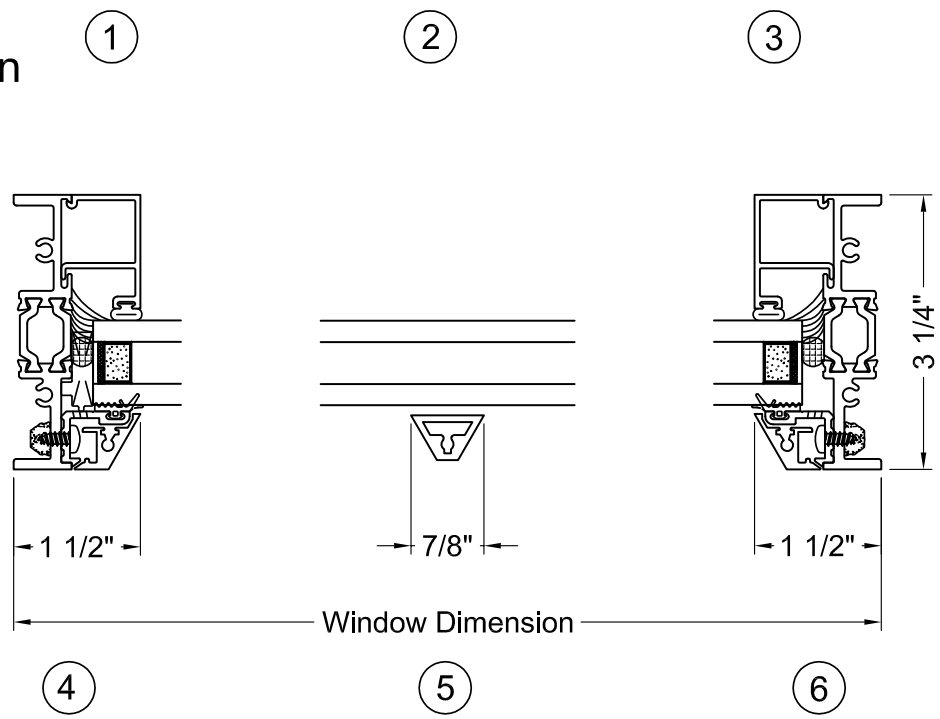


Scale: 6" = 1'-0"

Note: Multiple configurations and hardware options available. Contact your EFCO representative for more information.



Typical Elevation



Note: Multiple configurations and hardware options available. Contact your EFCO representative for more information.

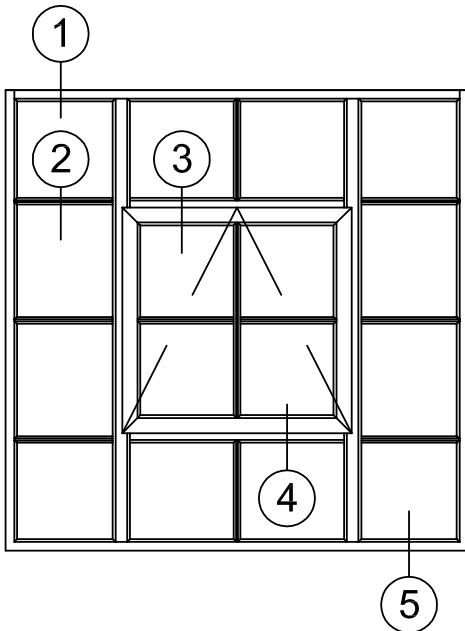
Scale: 6" = 1'-0"



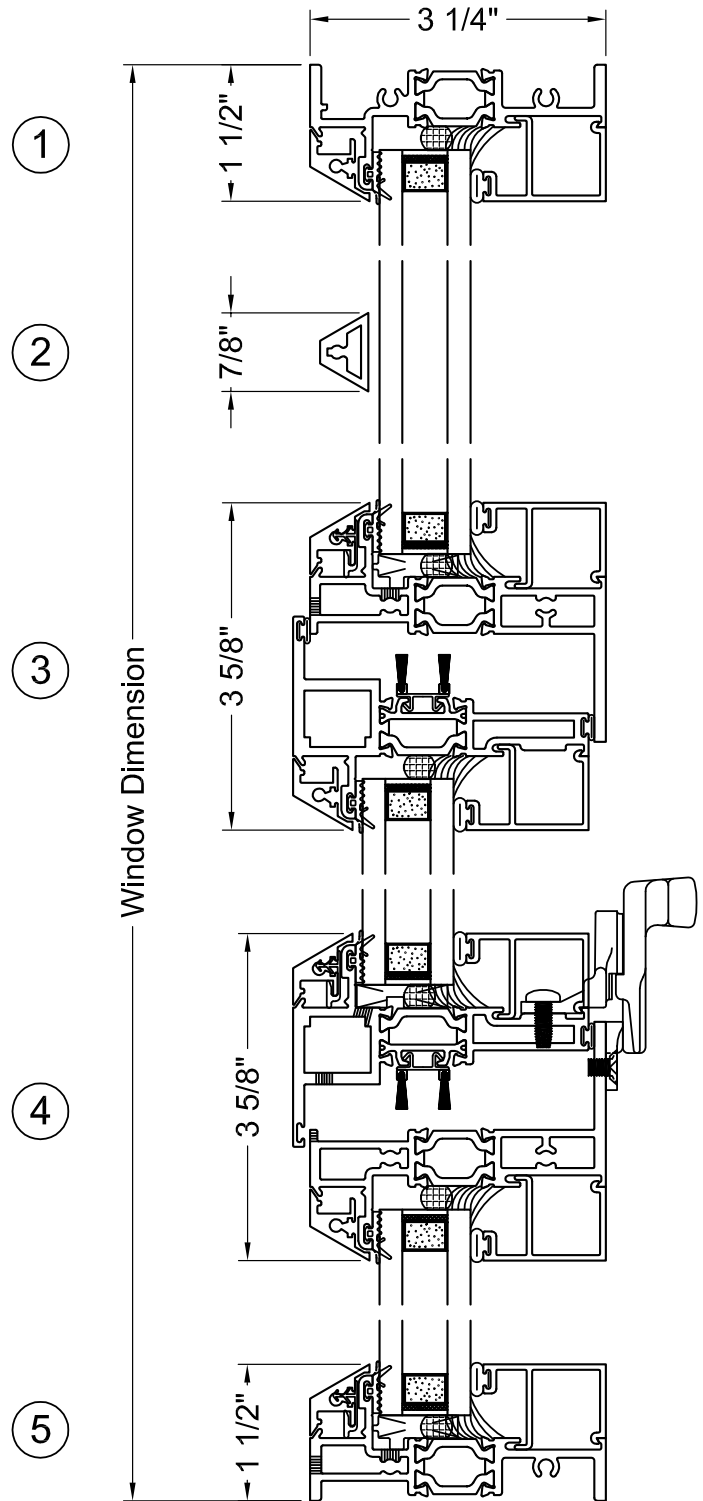


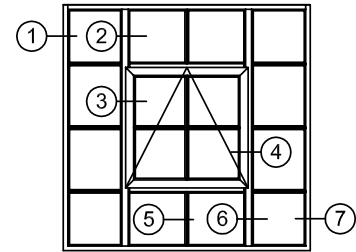
# 590X 3-1/4" Steel Replica Window

## Floating Vent - Horizontal Details



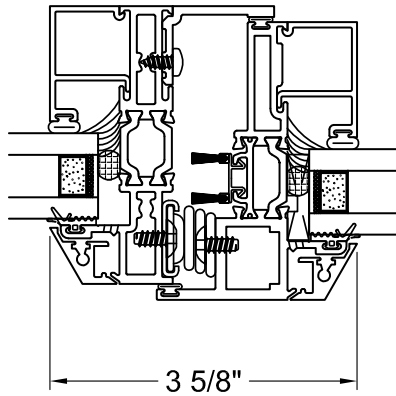
Typical Elevation



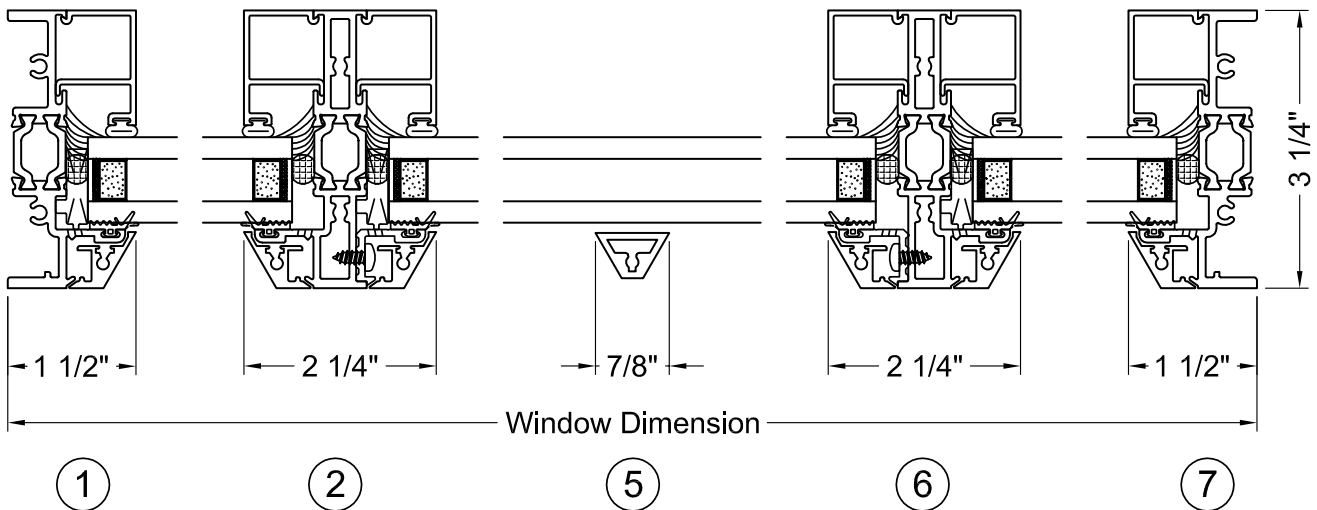
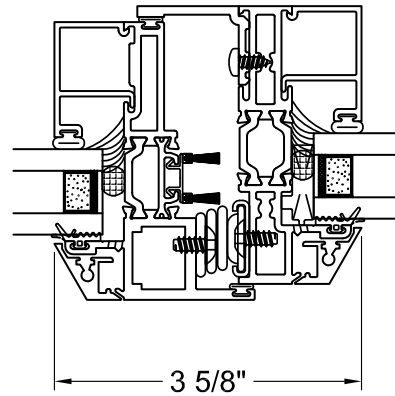


Typical Elevation

3



4



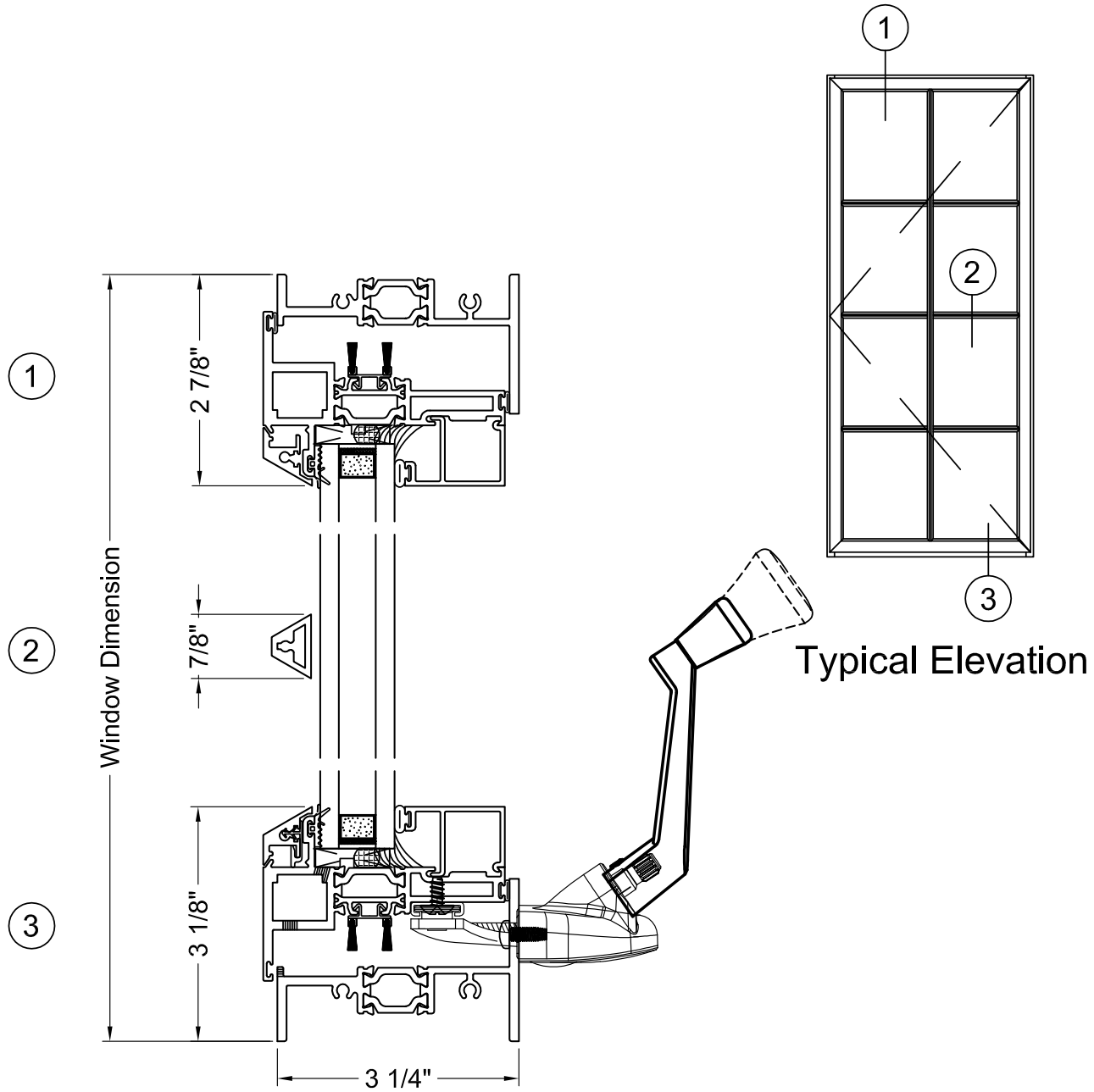
Note: Multiple configurations and hardware options available. Contact your EFCO representative for more information.

Scale: 6" = 1'-0"



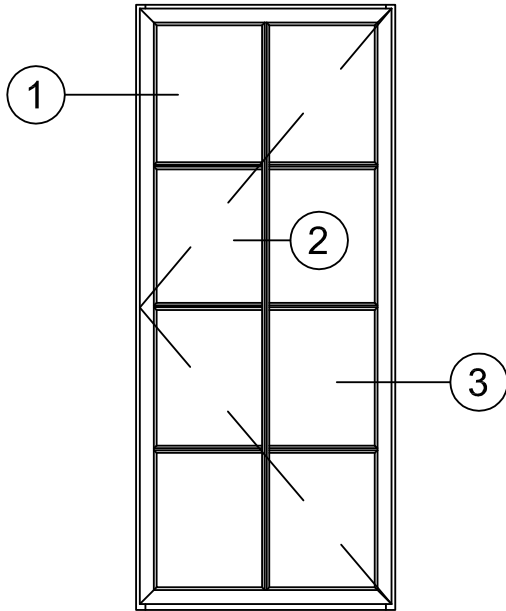
# 590X 3-1/4" Steel Replica Window

## Outswing Casement - Horizontal Details

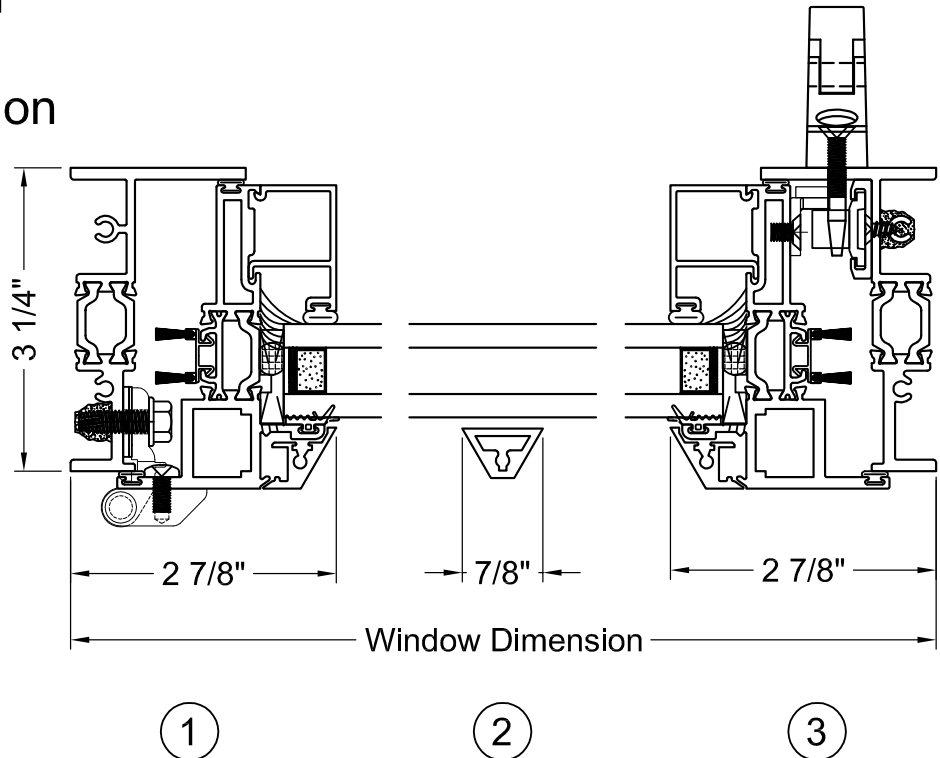


Scale: 6" = 1'-0"

Note: Multiple configurations and hardware options available. Contact your EFCO representative for more information.



Typical Elevation



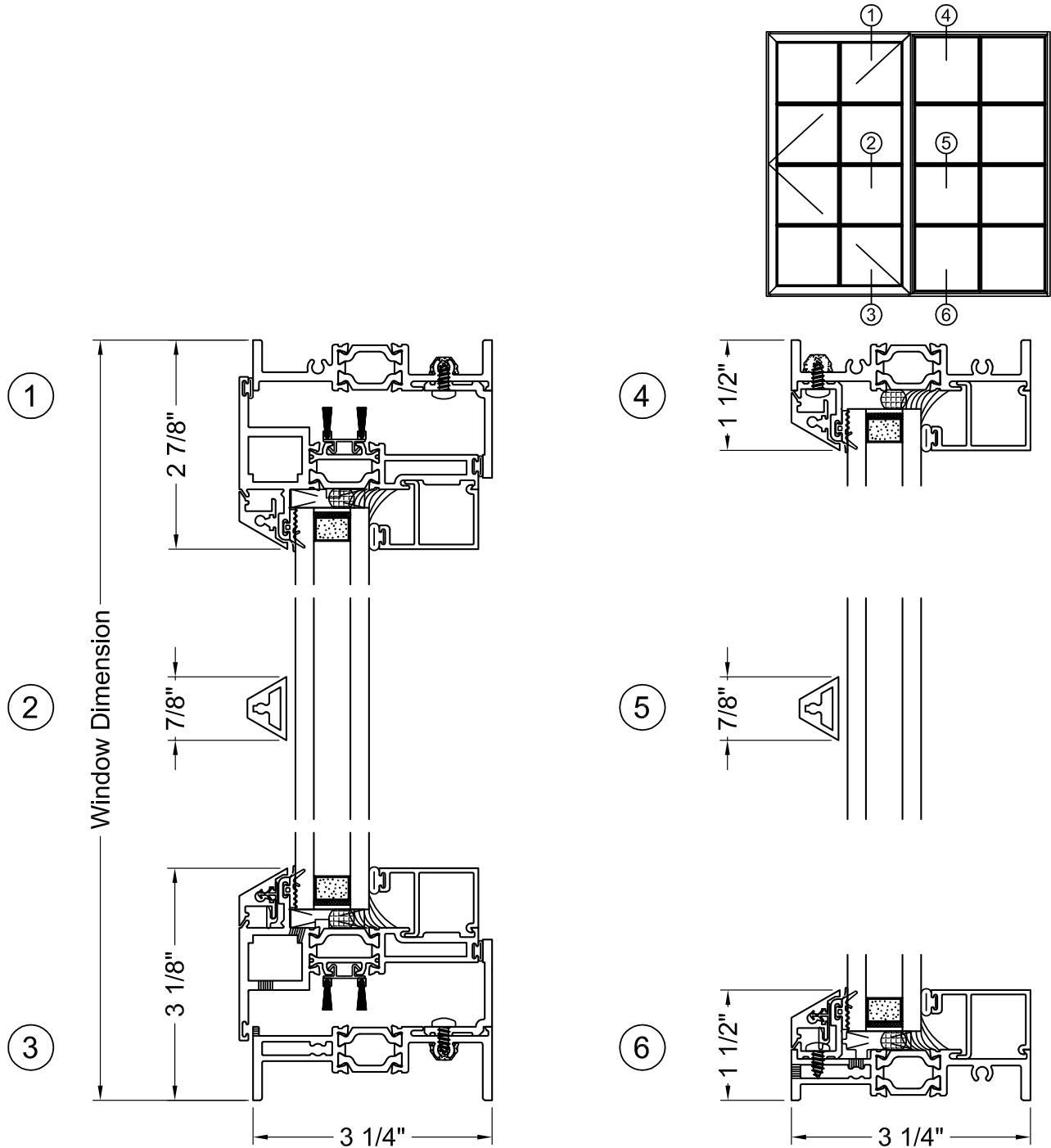
Note: Multiple configurations and hardware options available. Contact your EFCO representative for more information.

Scale: 6" = 1'-0"



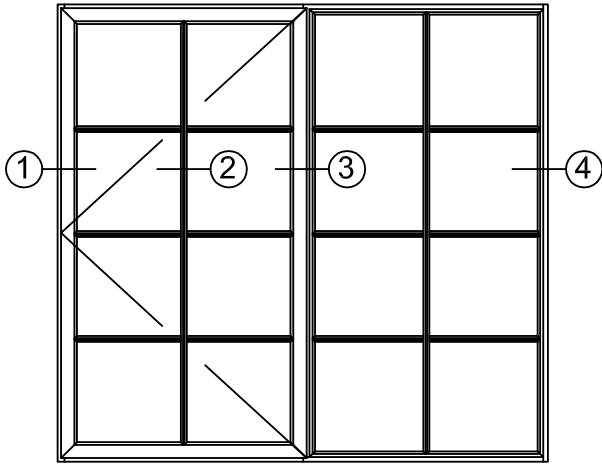
# 590X 3-1/4" Steel Replica Window

Outswing Casement | Fixed - Horizontal Details

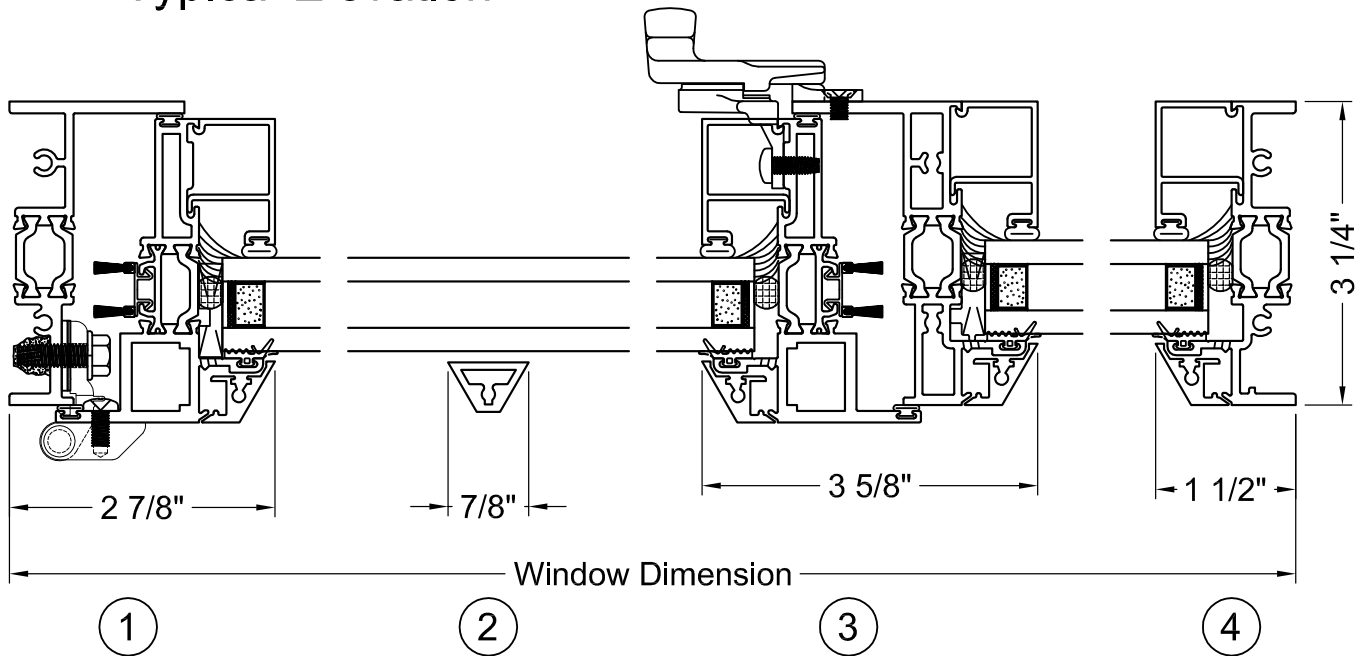


Scale: 6" = 1'-0"

Note: Multiple configurations and hardware options available. Contact your EFCO representative for more information.

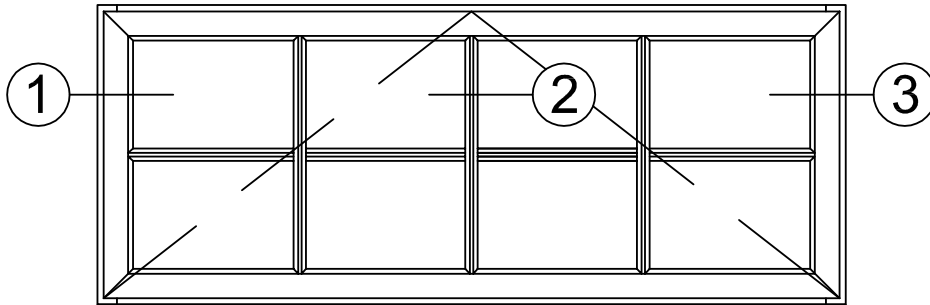


Typical Elevation



Note: Multiple configurations and hardware options available. Contact your EFCO representative for more information.

Scale: 6" = 1'-0"

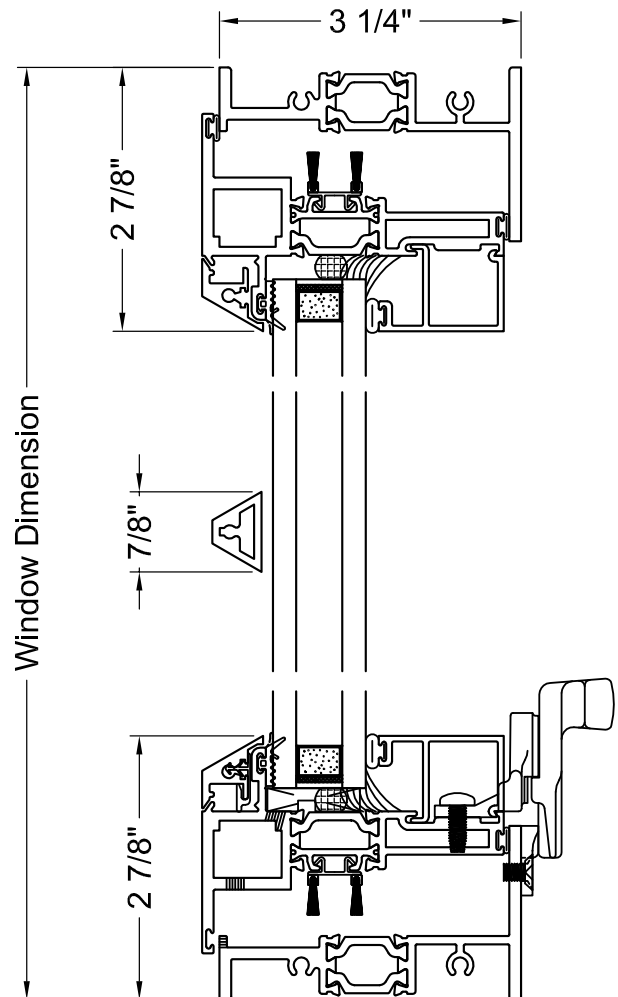


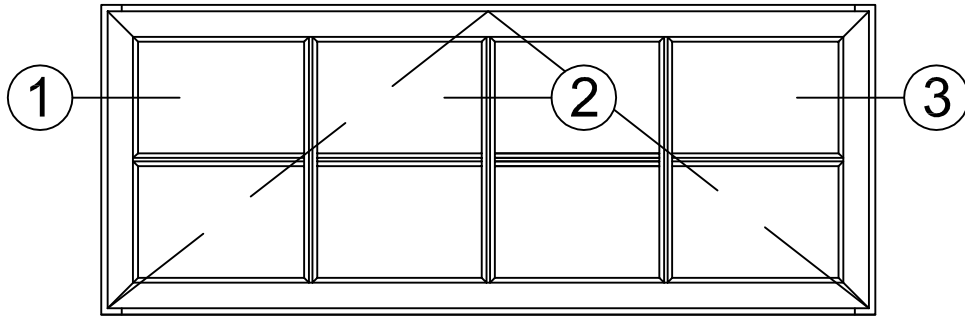
Typical Elevation

1

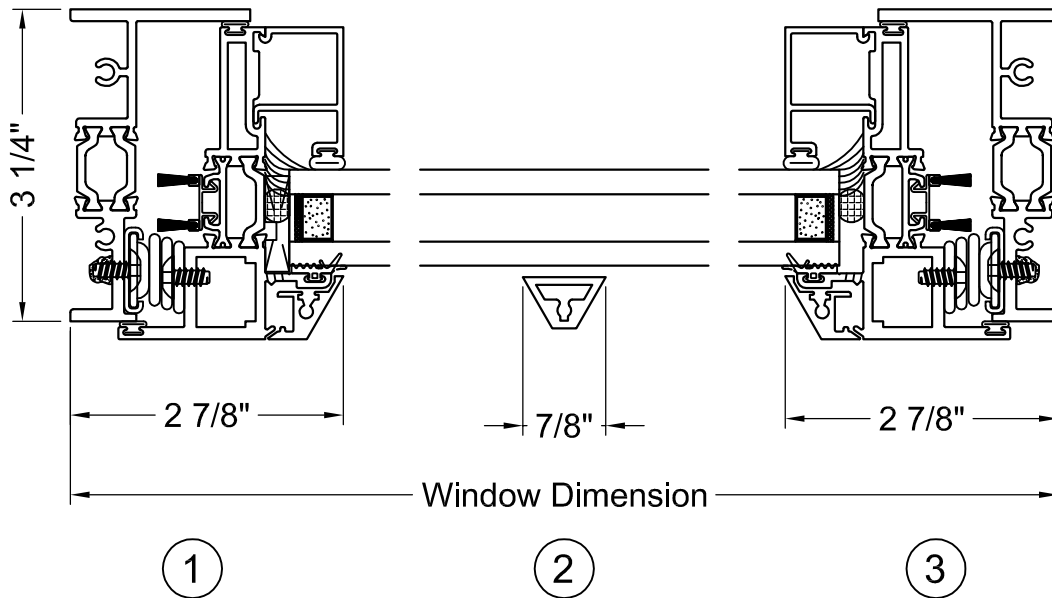
2

3





Typical Elevation



Note: Multiple configurations and hardware options available. Contact your EFCO representative for more information.

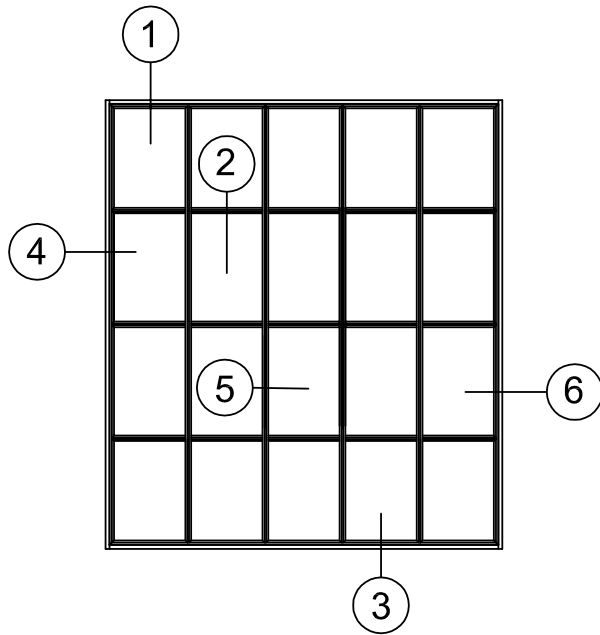
Scale: 6" = 1'-0"



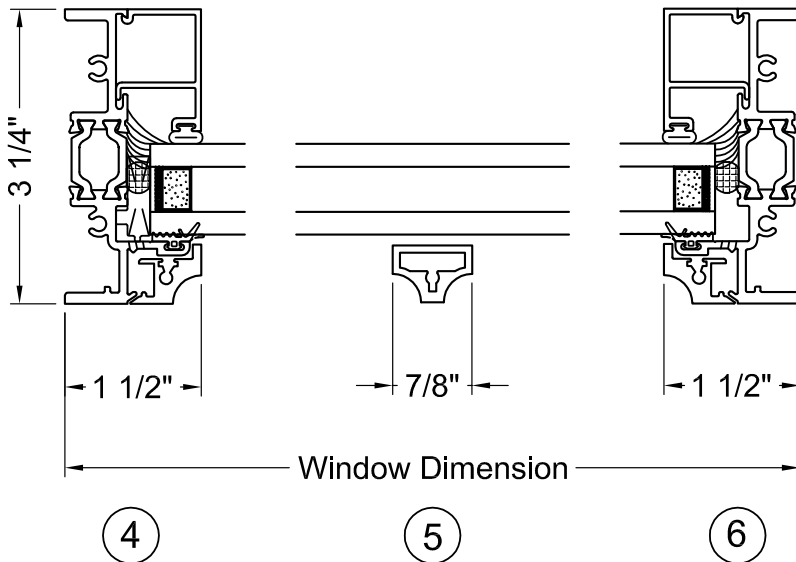
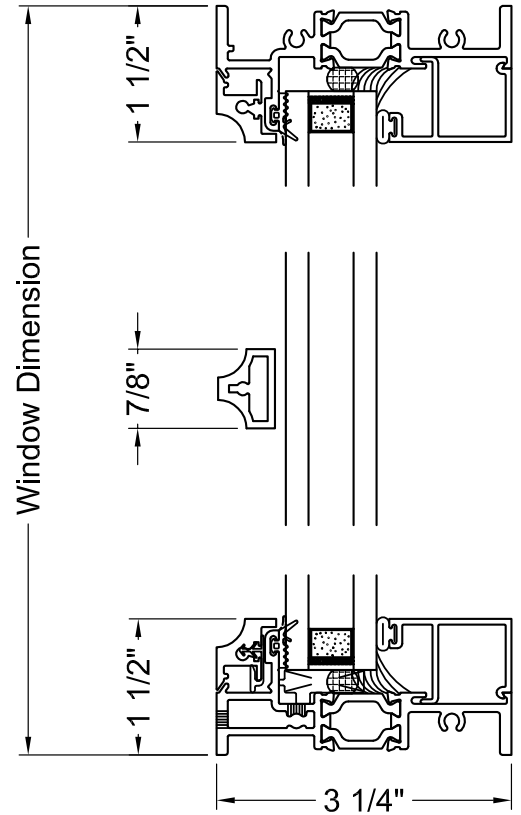


# 590X 3-1/4" Steel Replica Window

Fixed Window - Details

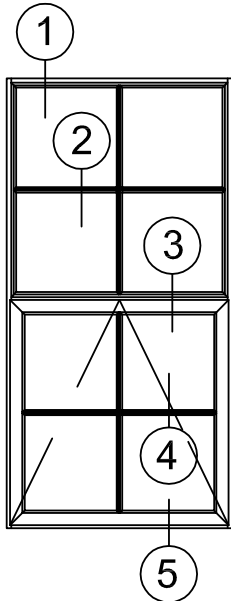


Typical Elevation

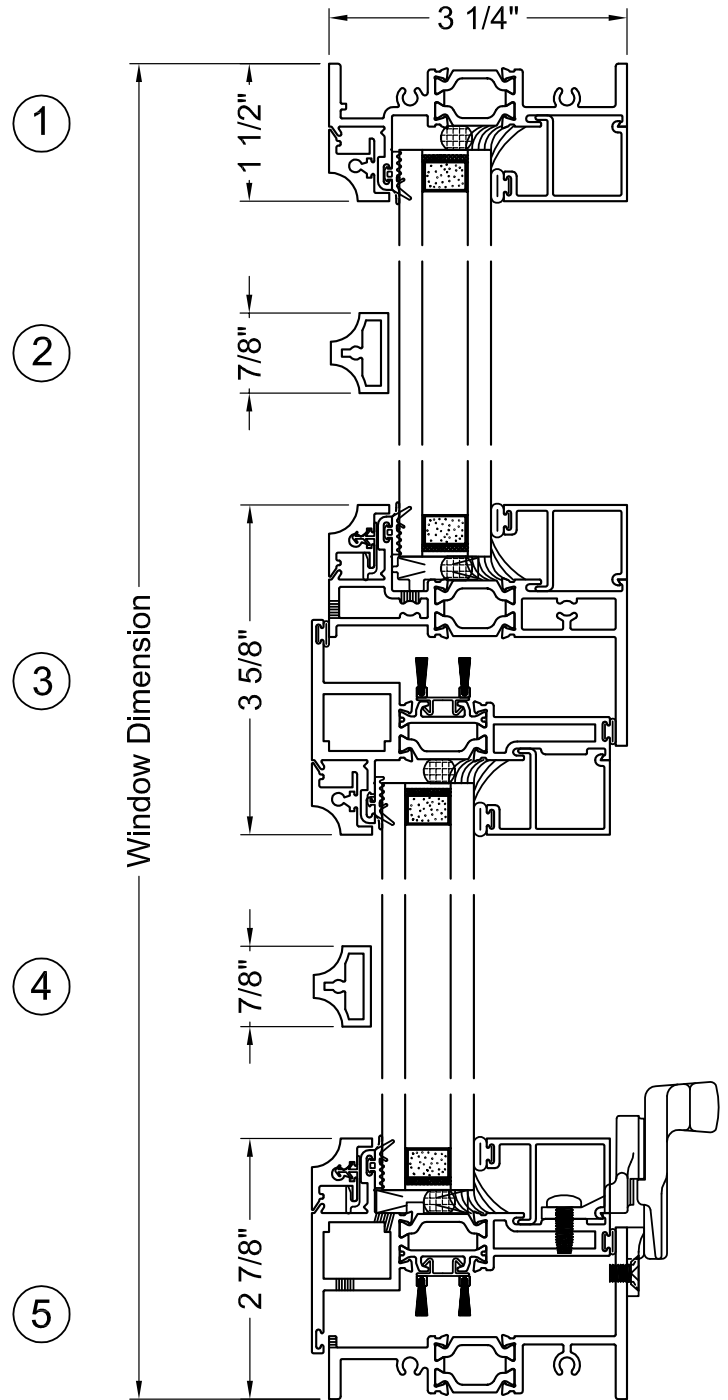


Scale: 6" = 1'-0"

Note: Multiple configurations available. Contact your EFCO representative for more information.



Typical Elevation



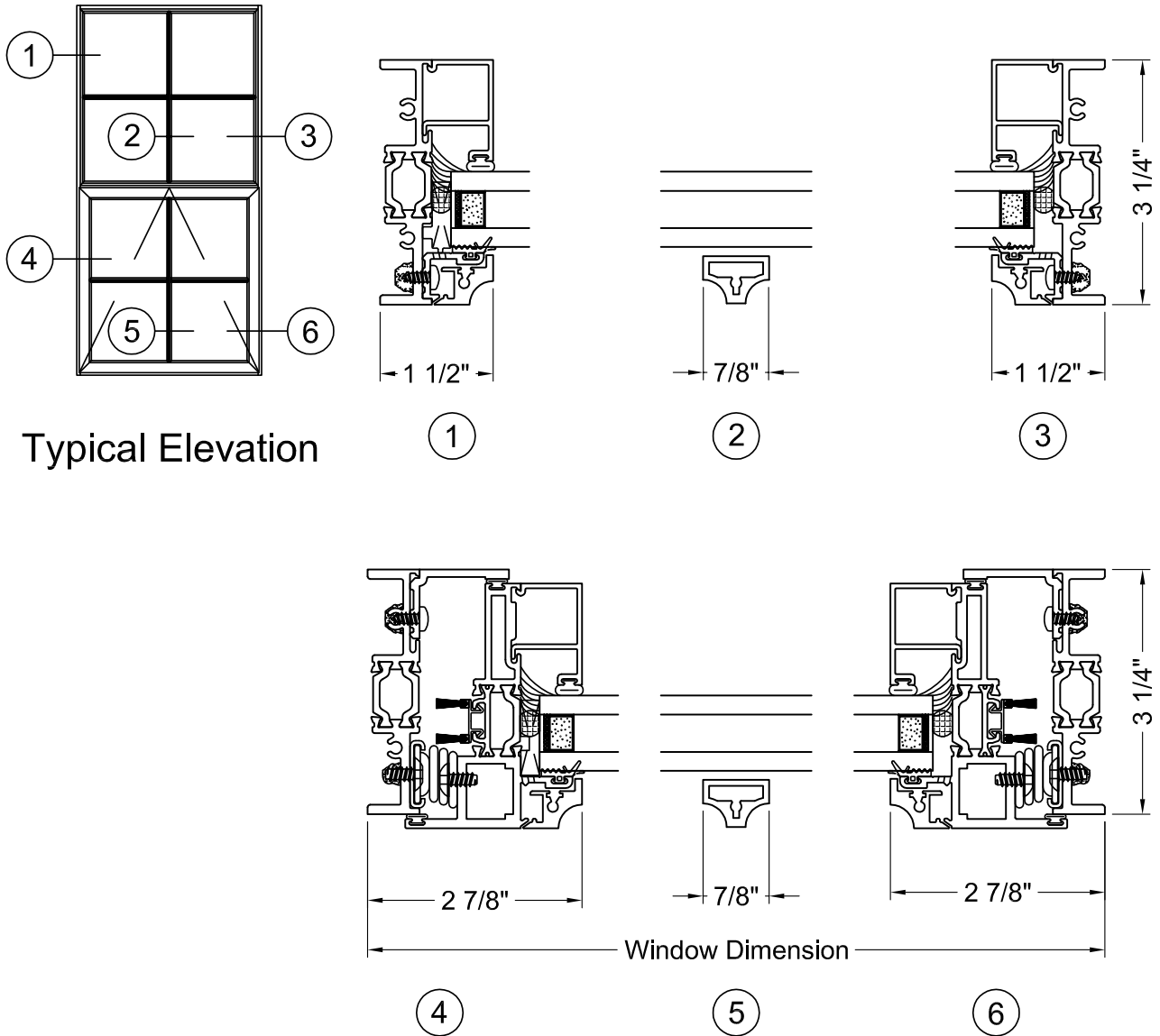
Note: Multiple configurations and hardware options available. Contact your EFCO representative for more information.

Scale: 6" = 1'-0"



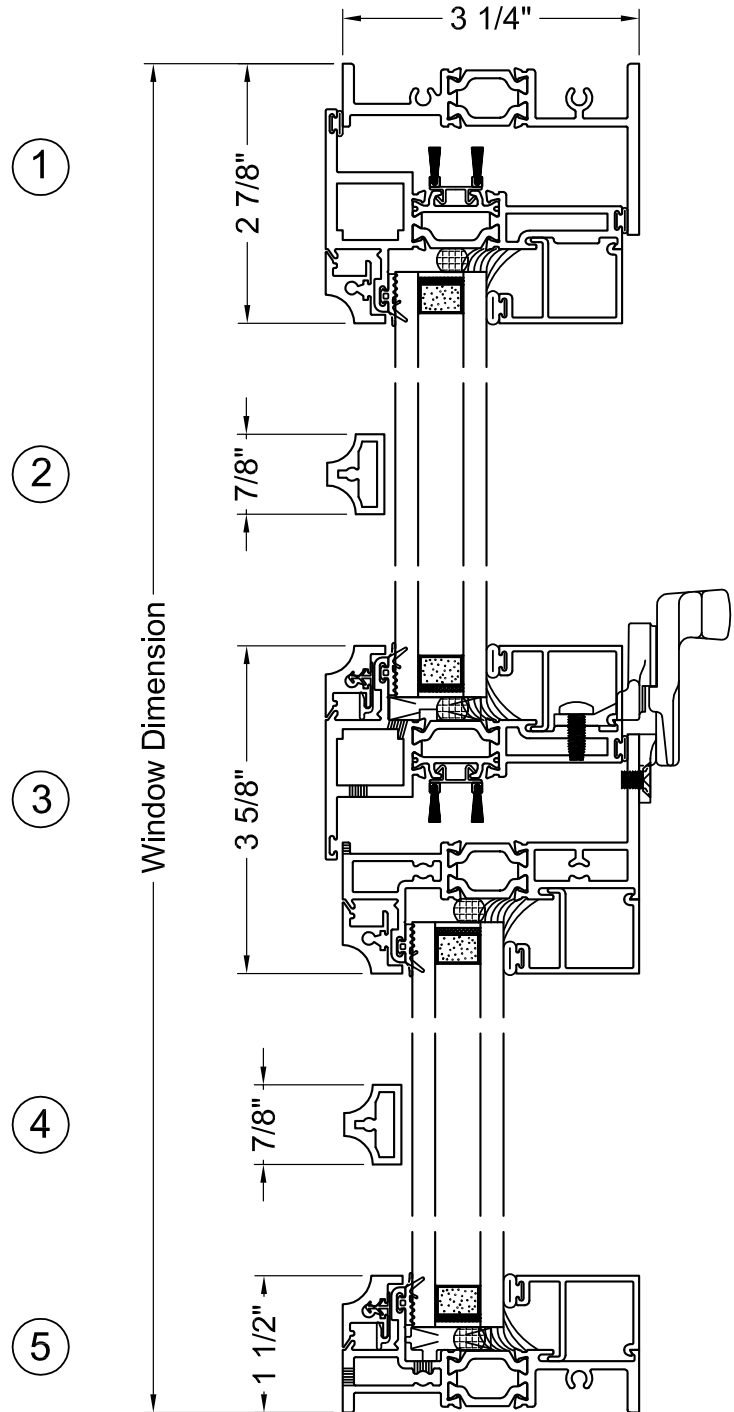
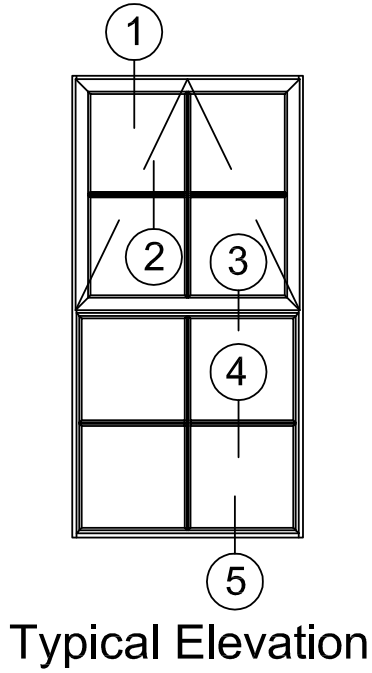
# 590X 3-1/4" Steel Replica Window

FX/PO - Vertical Details



Scale: 6" = 1'-0"

Note: Multiple configurations and hardware options available. Contact your EFCO representative for more information.



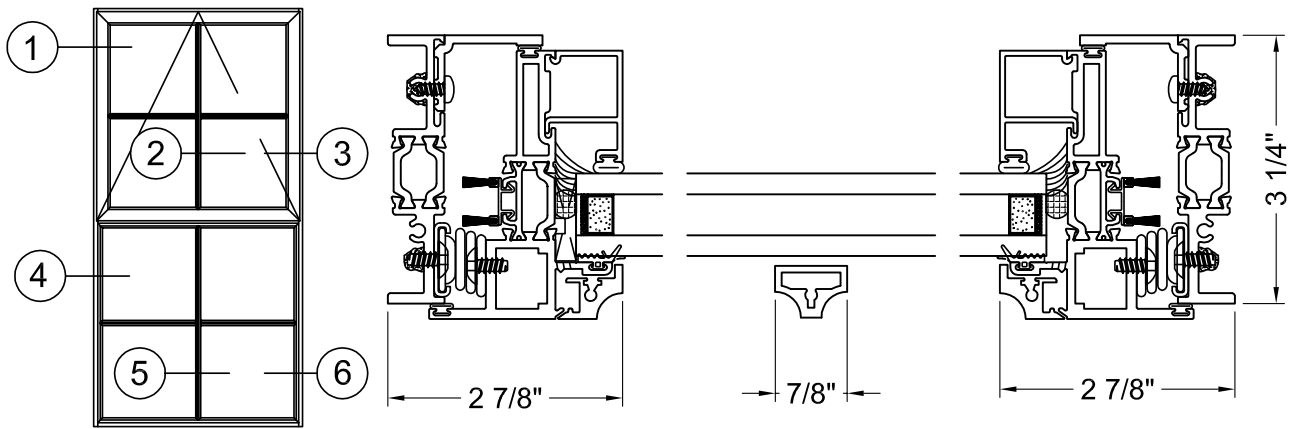
Note: Multiple configurations and hardware options available. Contact your EFCO representative for more information.

Scale: 6" = 1'-0"

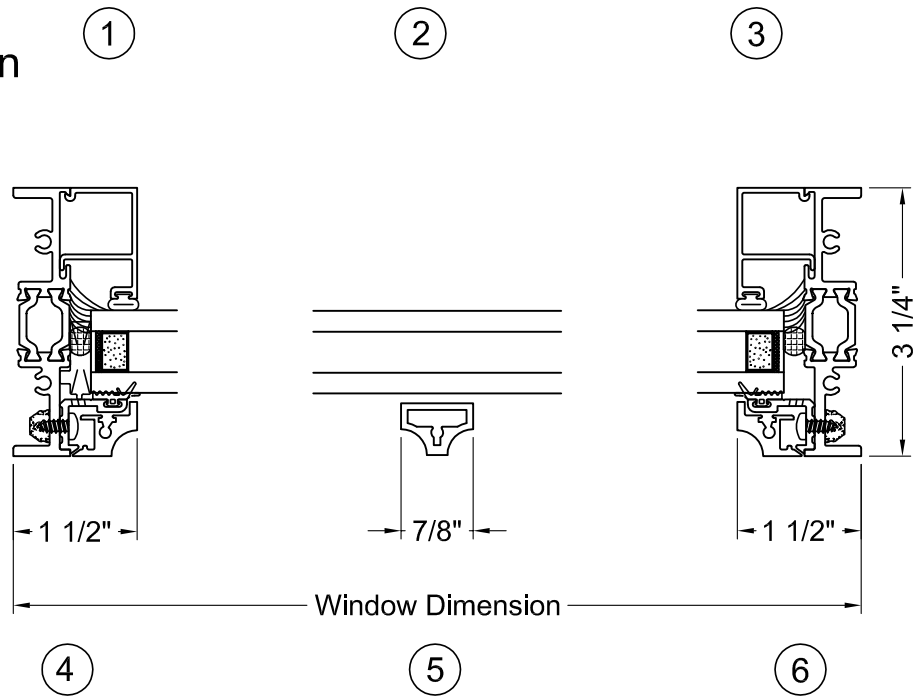


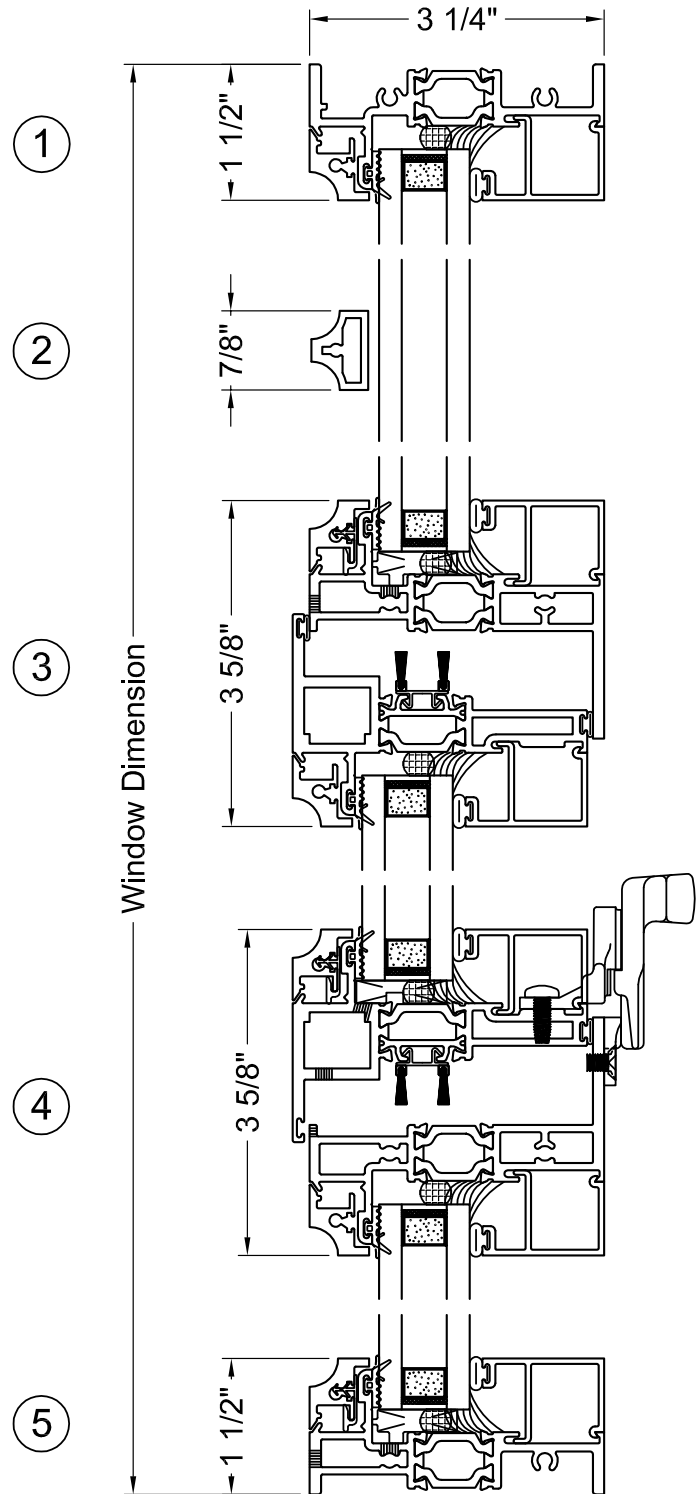
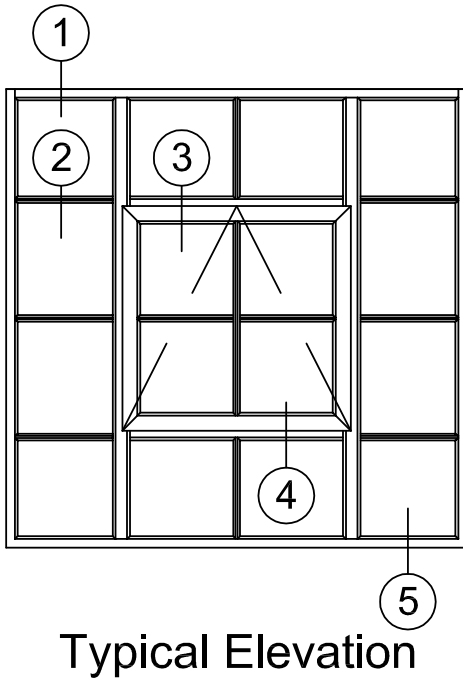
# 590X 3-1/4" Steel Replica Window

PO/FX - Vertical Details



Typical Elevation





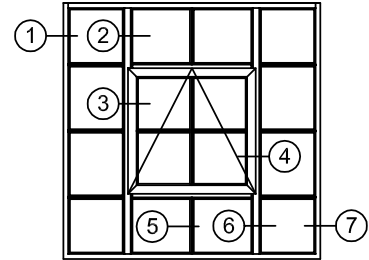
Note: Multiple configurations and hardware options available. Contact your EFCO representative for more information.

Scale: 6" = 1'-0"



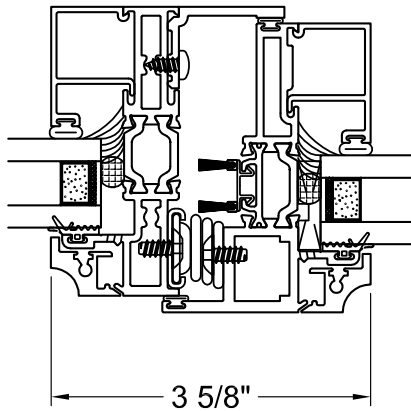
# 590X 3-1/4" Steel Replica Window

## Floating Vent - Vertical Details

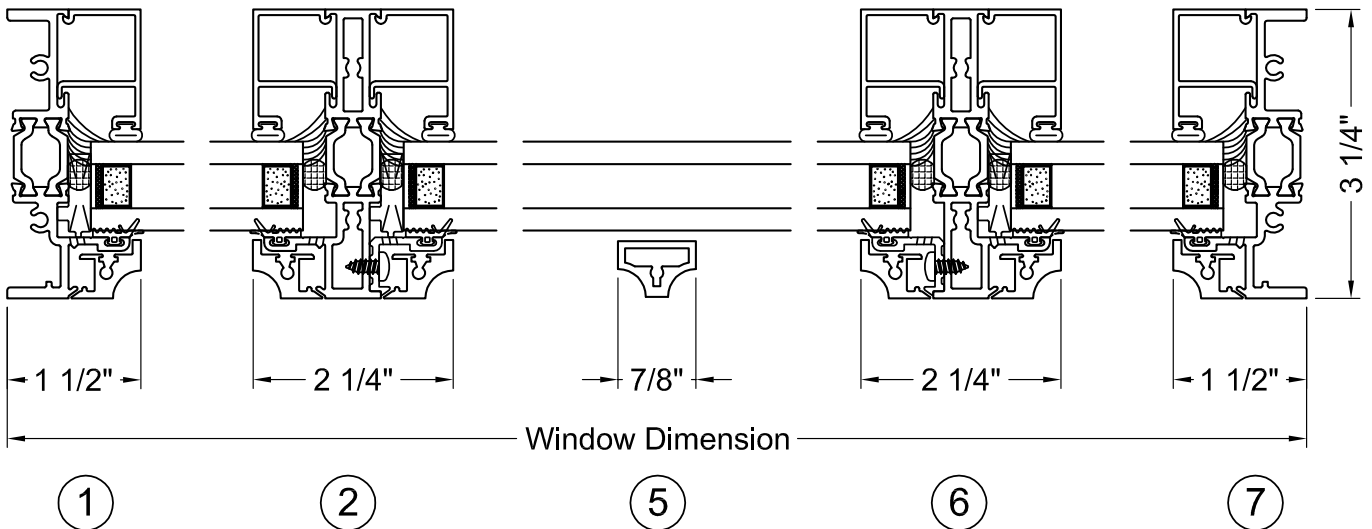
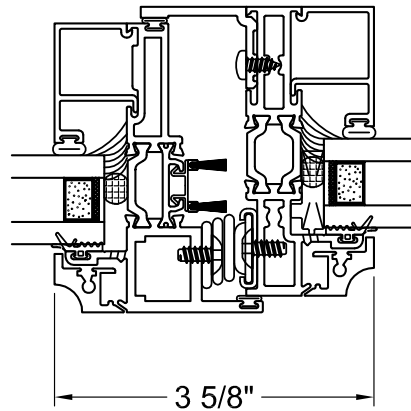


Typical Elevation

3



4



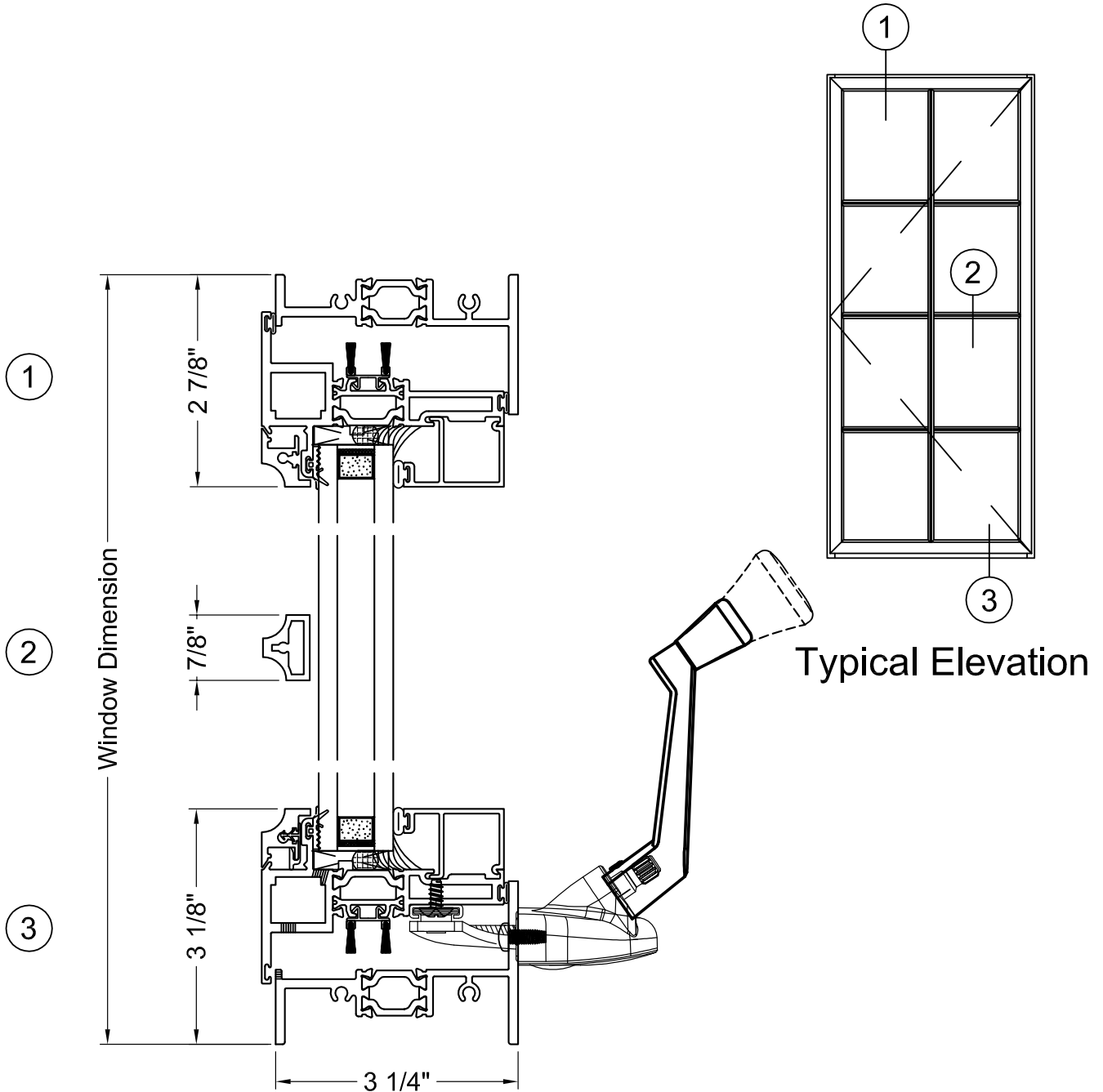
1

2

5

6

7



Note: Multiple configurations and hardware options available. Contact your EFCO representative for more information.

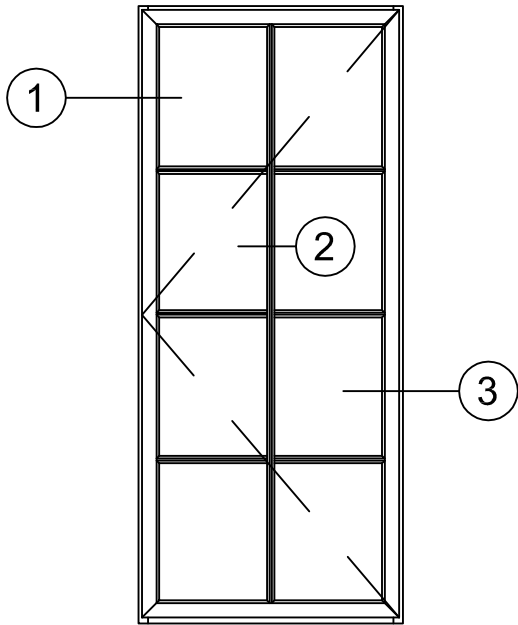
Scale: 6" = 1'-0"



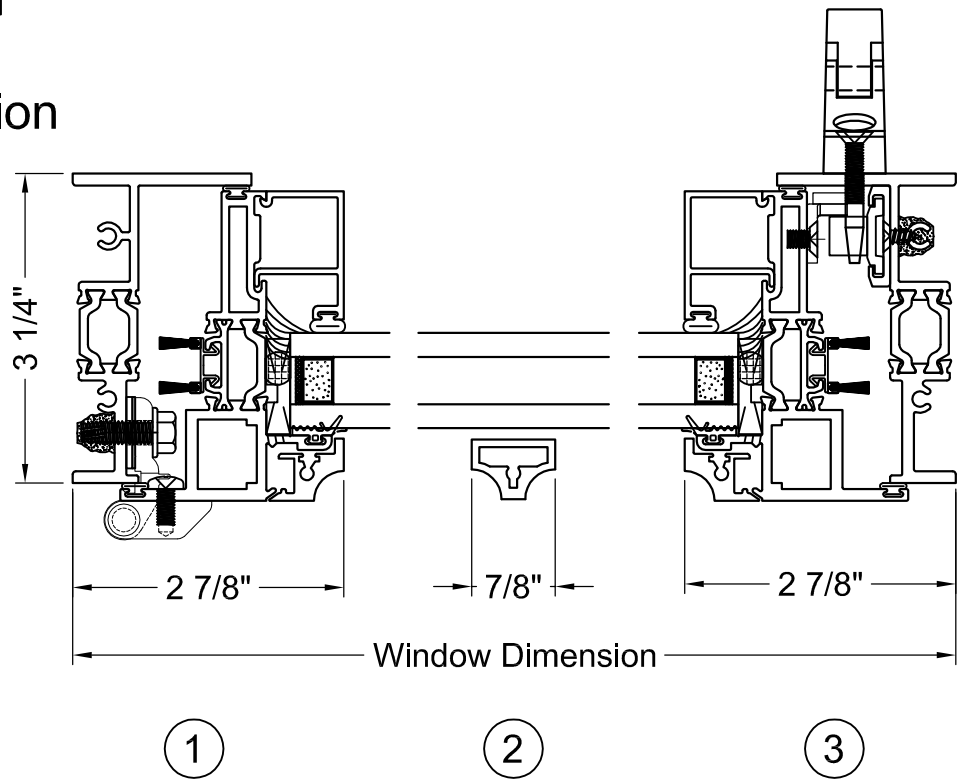


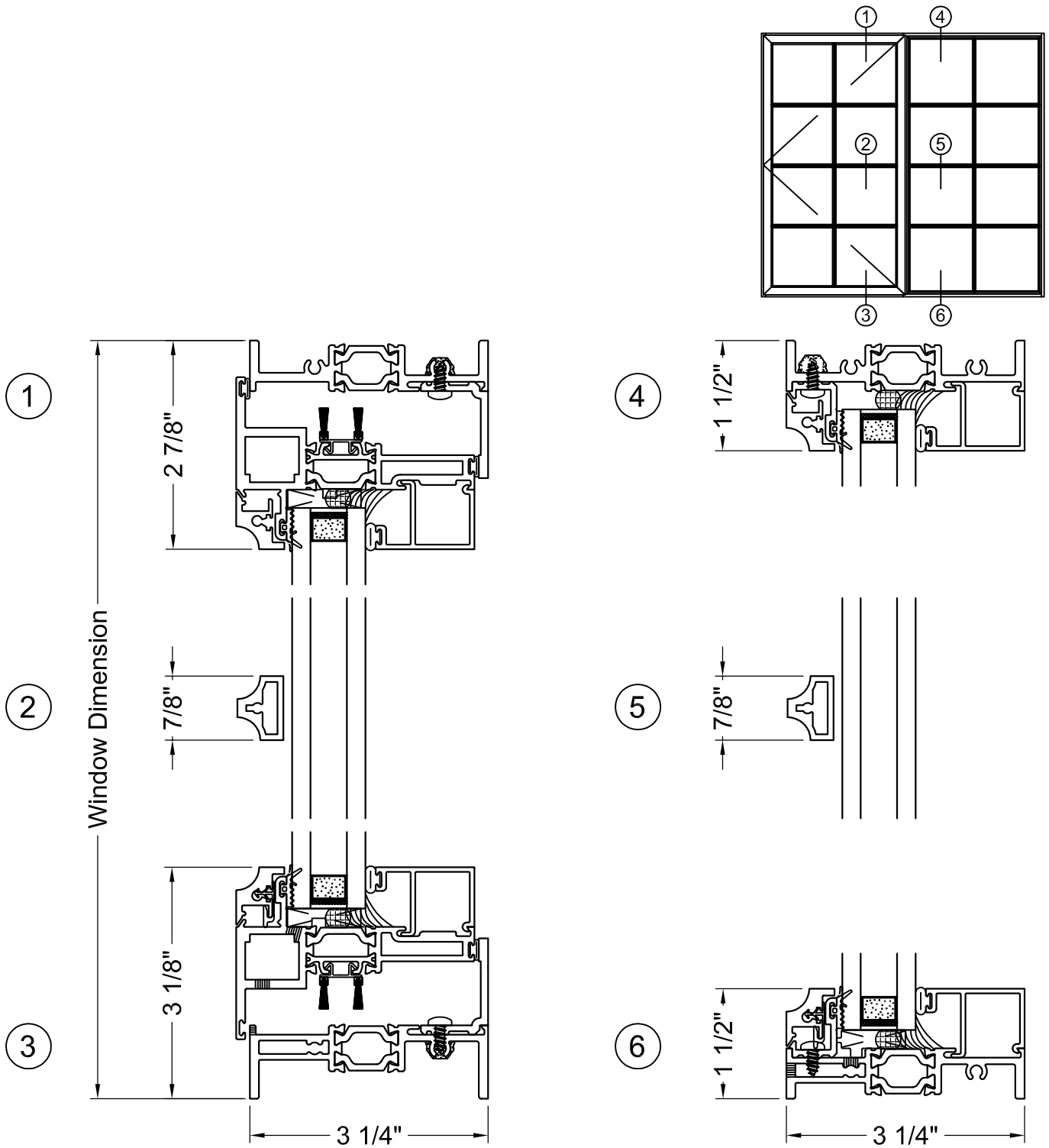
# 590X 3-1/4" Steel Replica Window

## Outswing Casement - Vertical Details



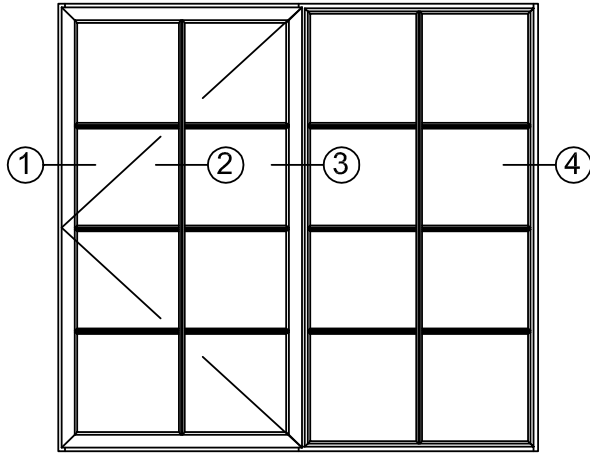
Typical Elevation



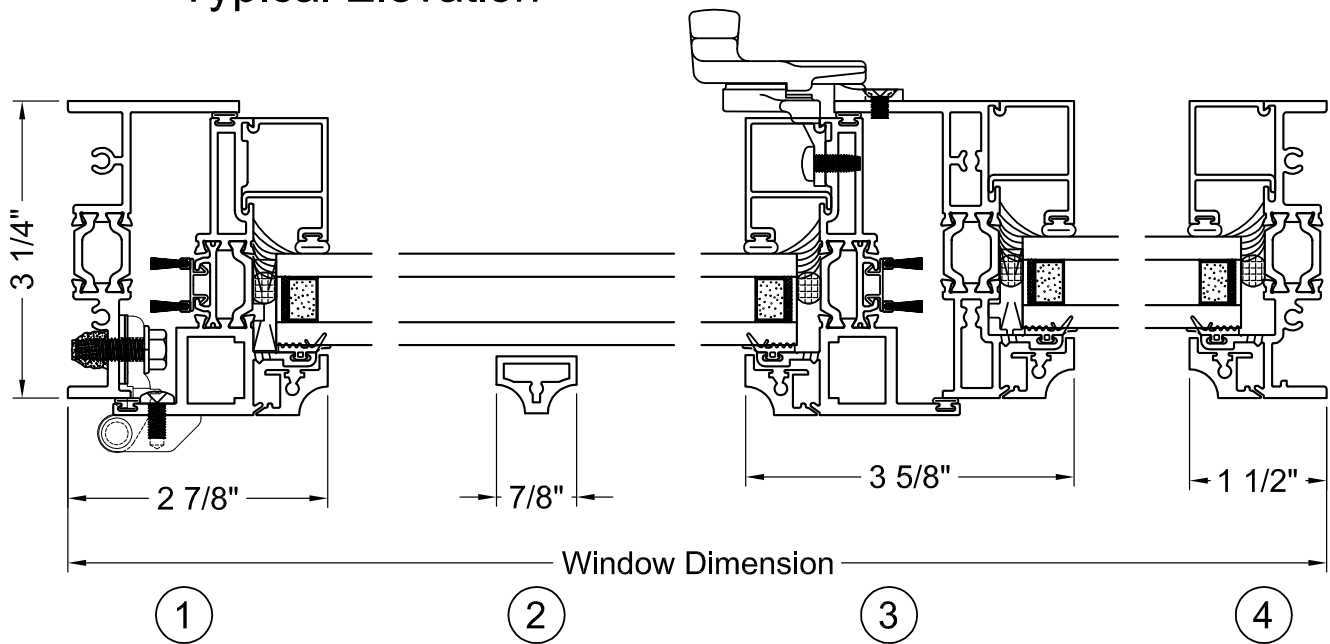


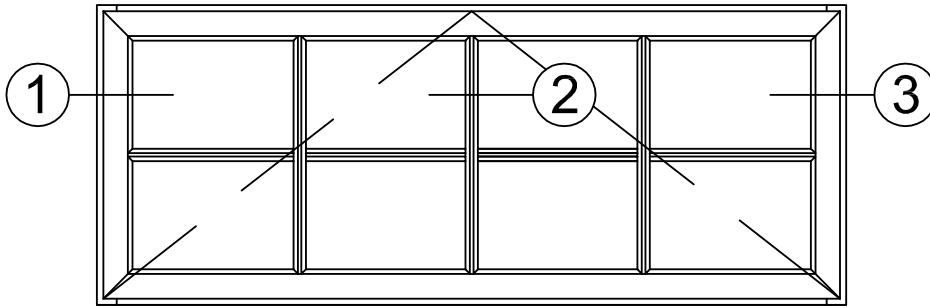
Note: Multiple configurations and hardware options available. Contact your EFCO representative for more information.

Scale: 6" = 1'-0"



Typical Elevation



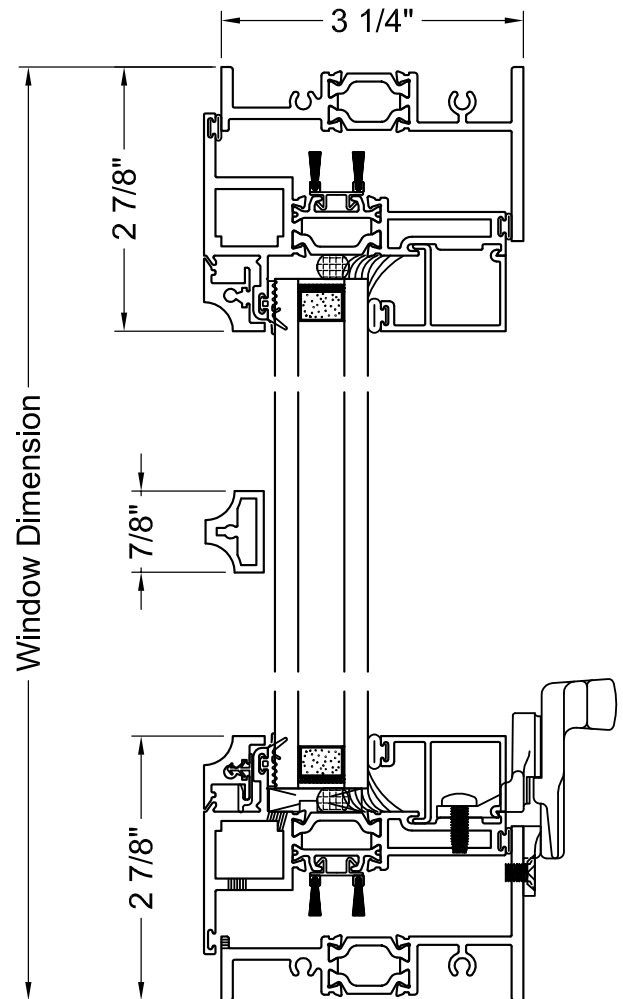


Typical Elevation

1

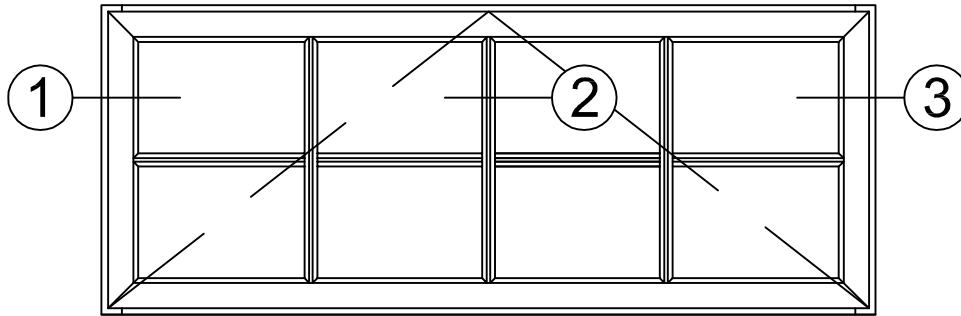
2

3

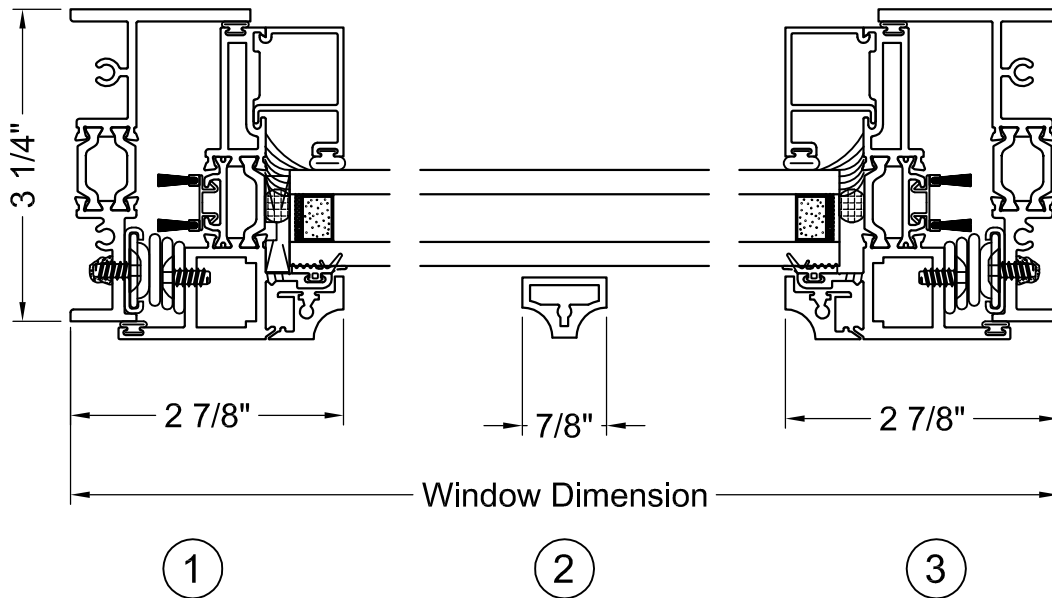


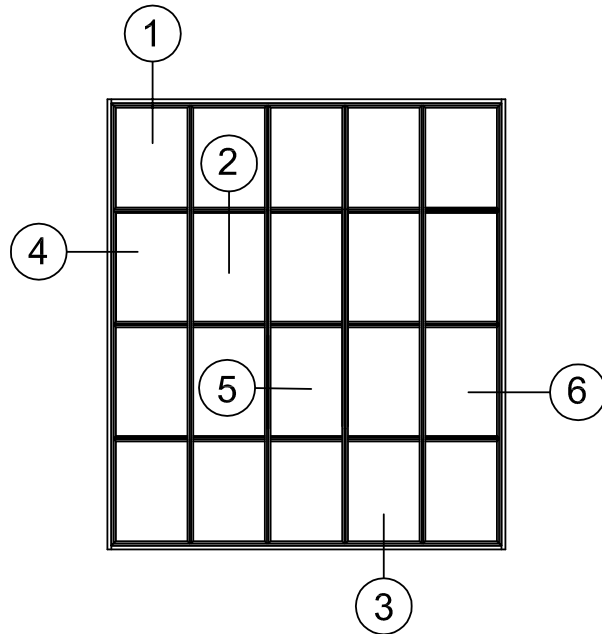
Note: Multiple configurations and hardware options available. Contact your EFCO representative for more information.

Scale: 6" = 1'-0"

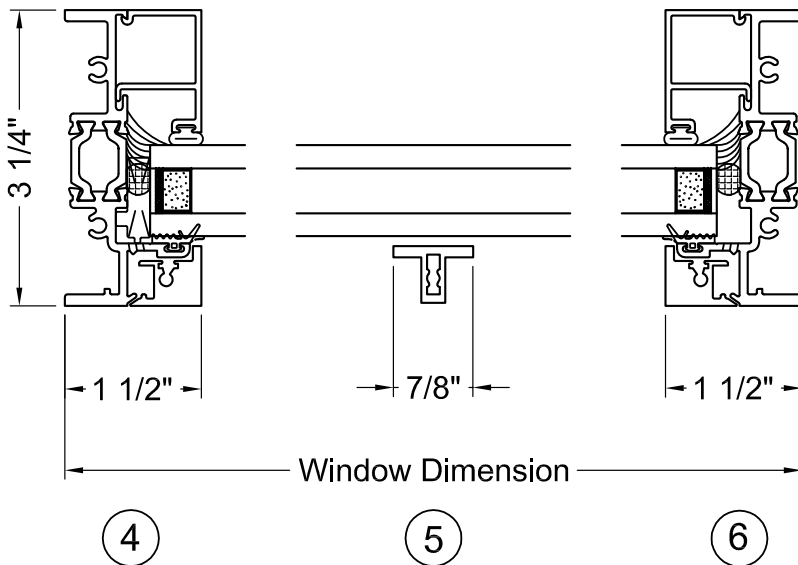
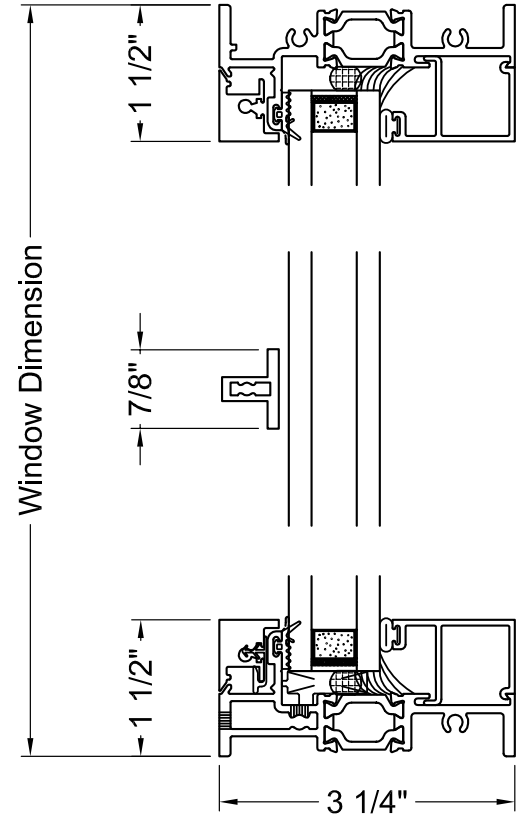


Typical Elevation





Typical Elevation



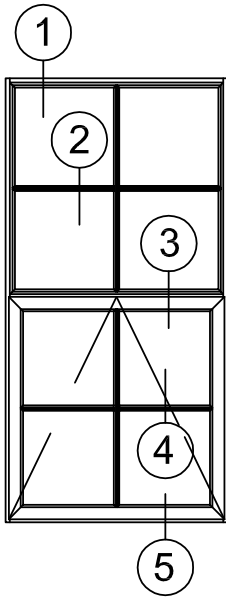
Note: Multiple configuration options available. Contact your EFCO representative for more information.

Scale: 6" = 1'-0"

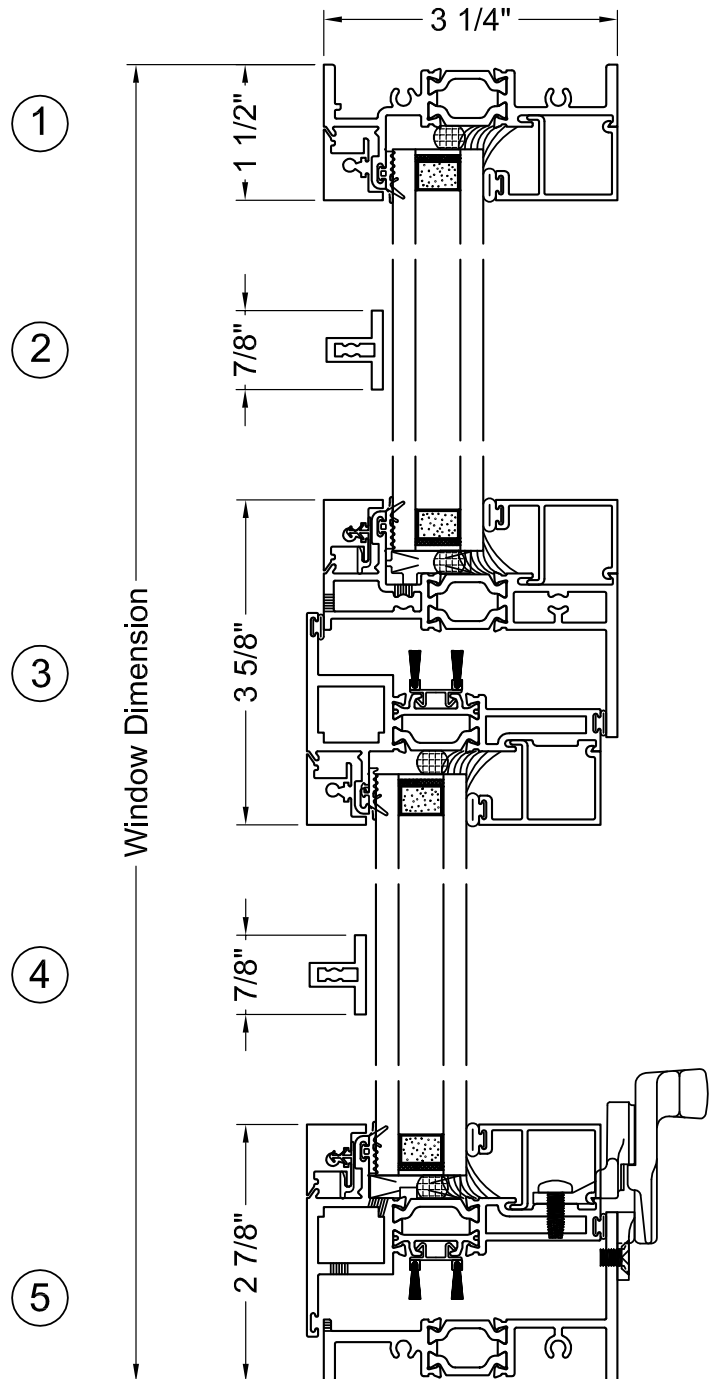


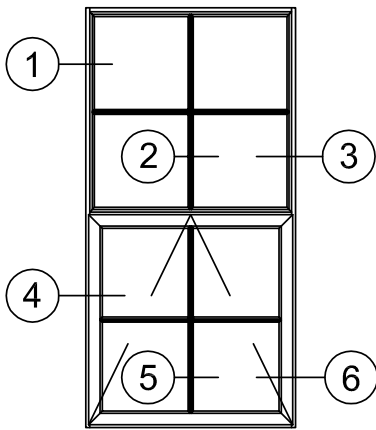
# 590X 3-1/4" Steel Replica Window

FX/PO - Horizontal Details

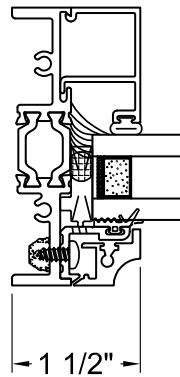


Typical Elevation

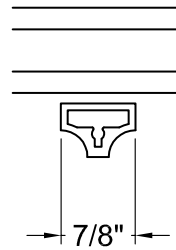




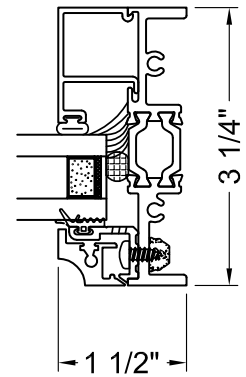
Typical Elevation



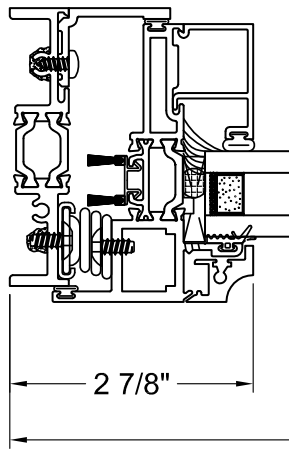
1



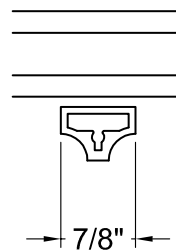
2



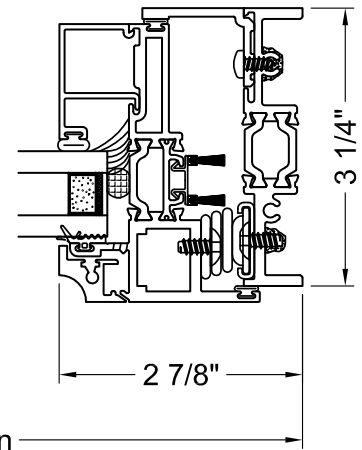
3



4



5



6

Window Dimension

Note: Multiple configuration options available. Contact your EFCO representative for more information.

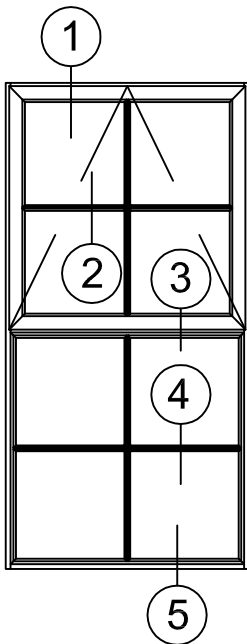
Scale: 6" = 1'-0"



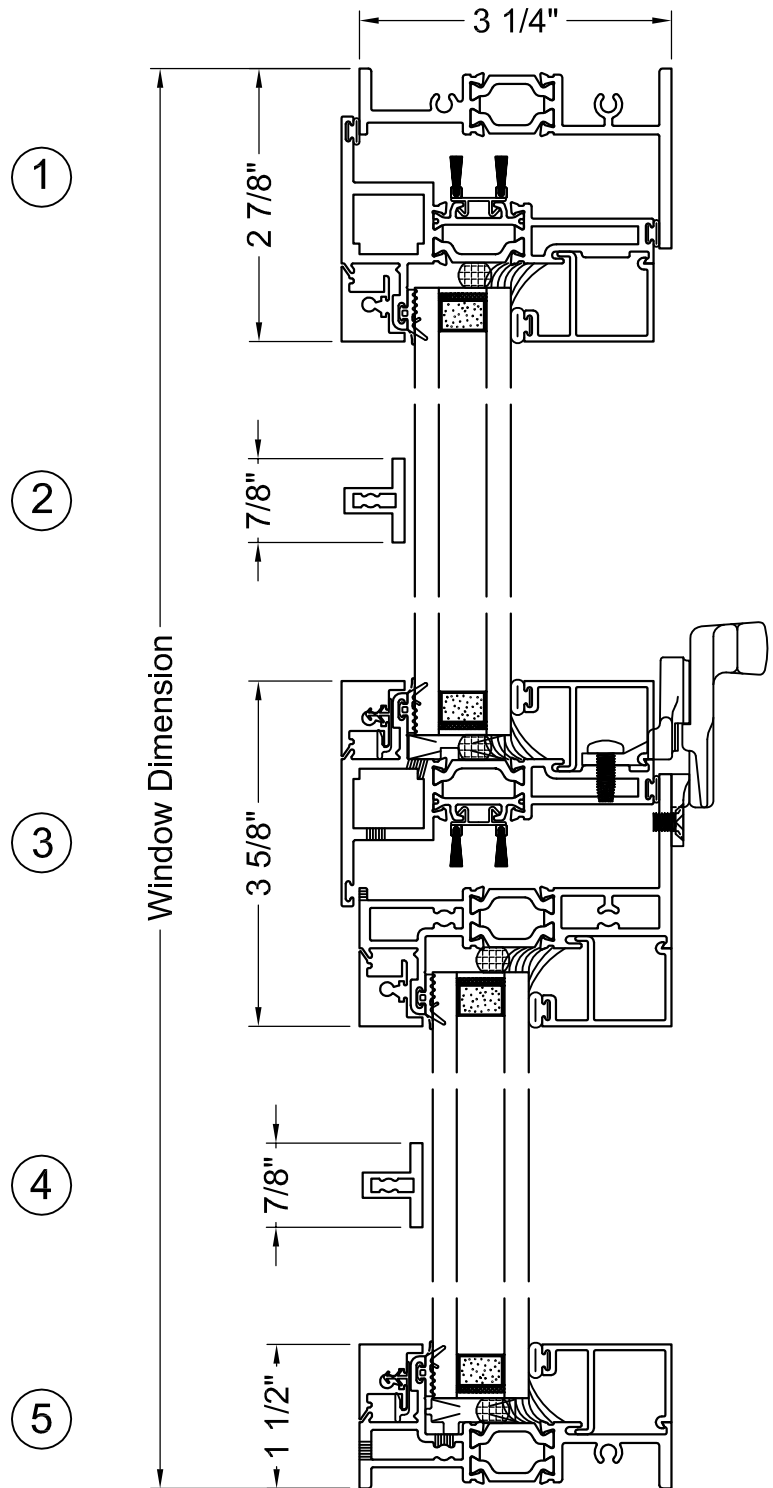


# 590X 3-1/4" Steel Replica Window

PO/FX - Horizontal Details

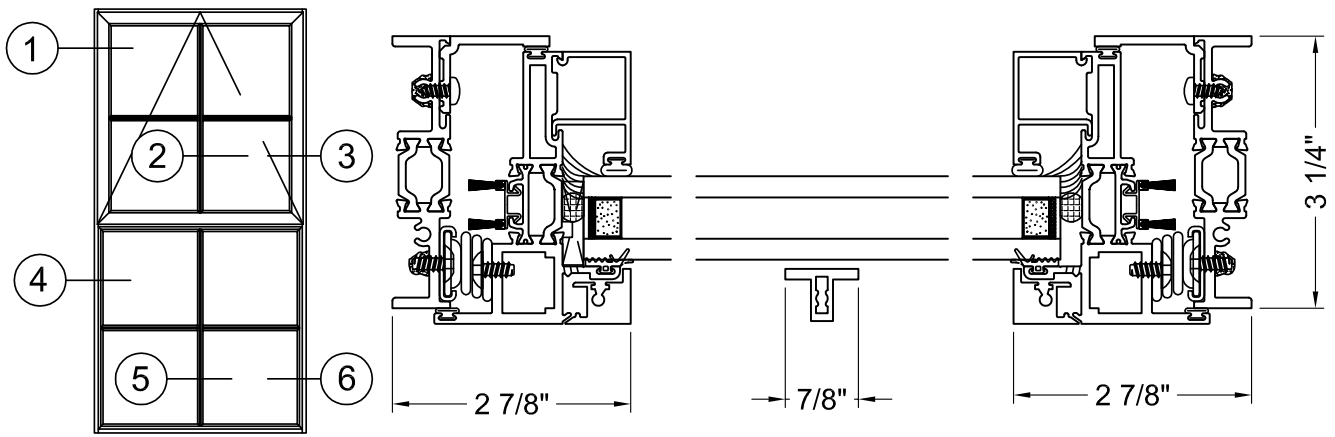


Typical Elevation

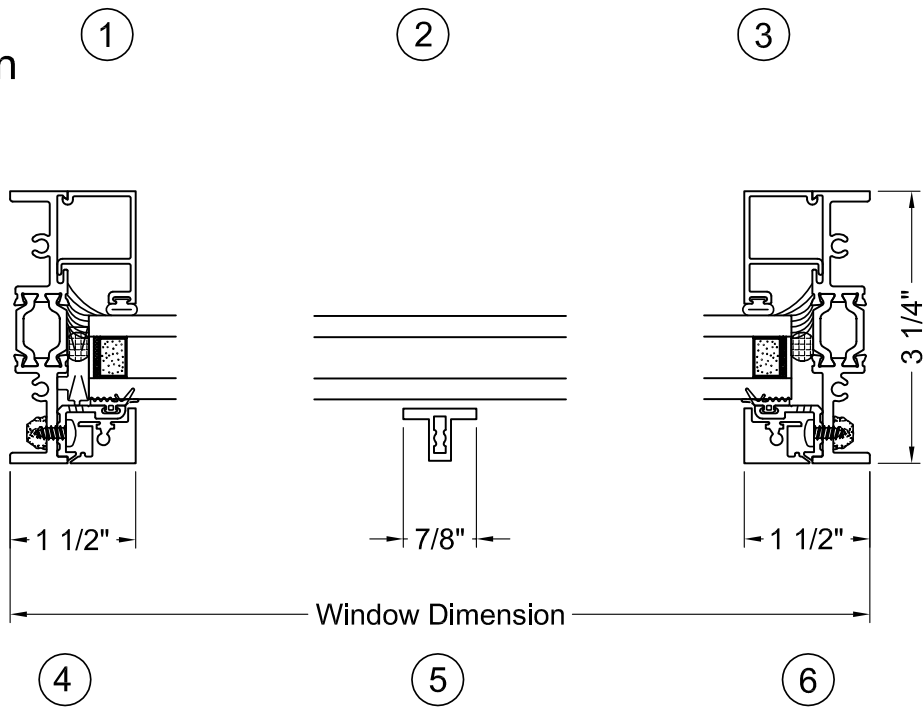


Scale: 6" = 1'-0"

Note: Multiple configurations and hardware options available. Contact your EFCO representative for more information.



Typical Elevation



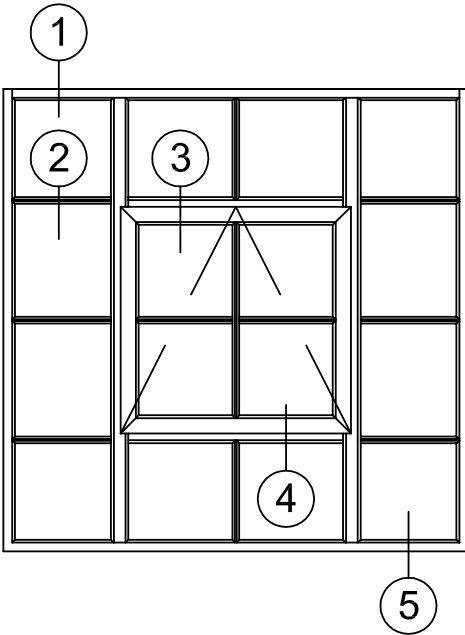
Note: Multiple configuration options available. Contact your EFCO representative for more information.

Scale: 6" = 1'-0"

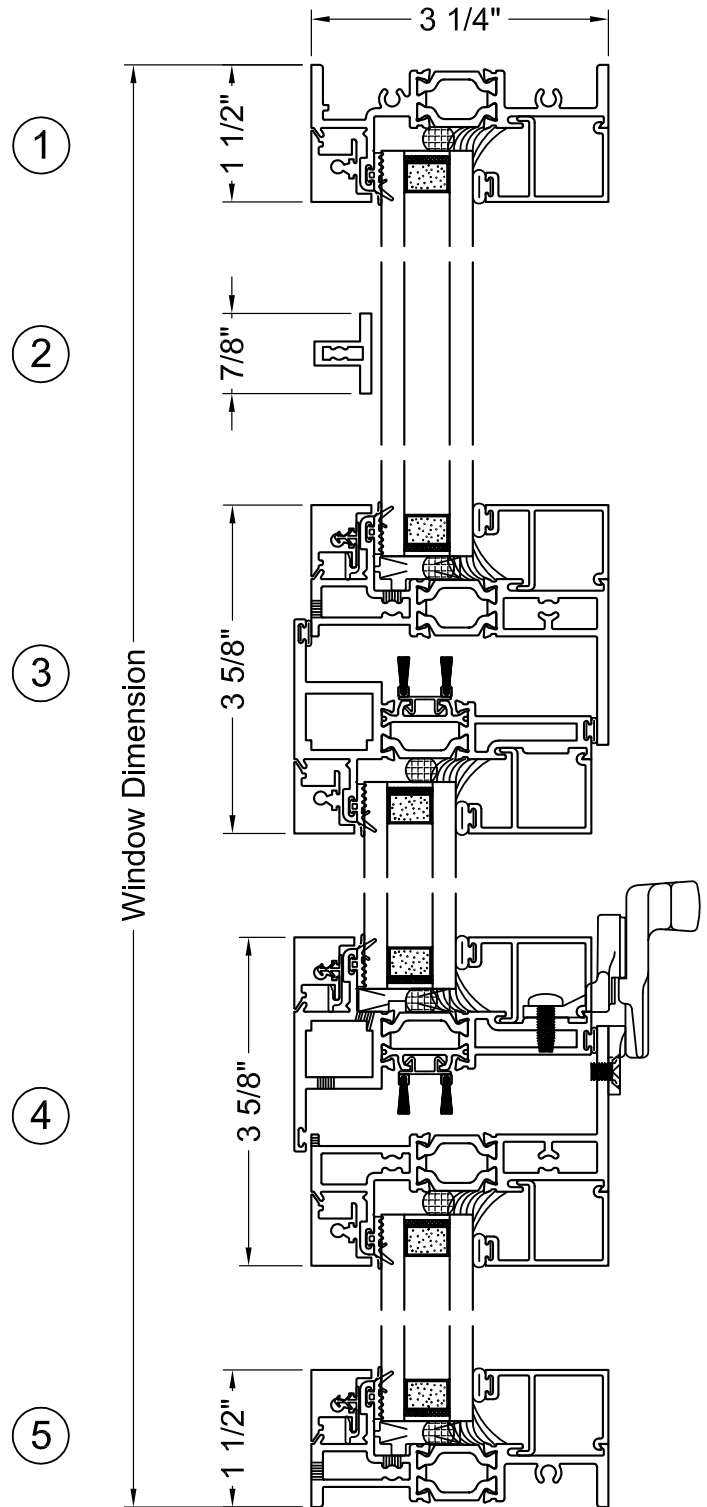


# 590X 3-1/4" Steel Replica Window

## Floating Vent - Horizontal Details

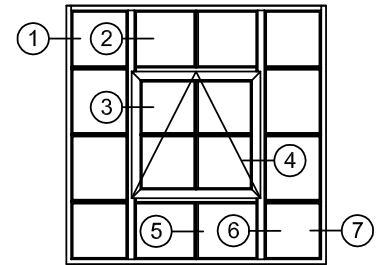


Typical Elevation



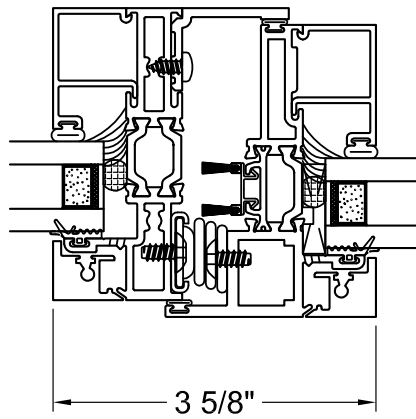
Scale: 6" = 1'-0"

Note: Multiple configurations and hardware options available. Contact your EFCO representative for more information.

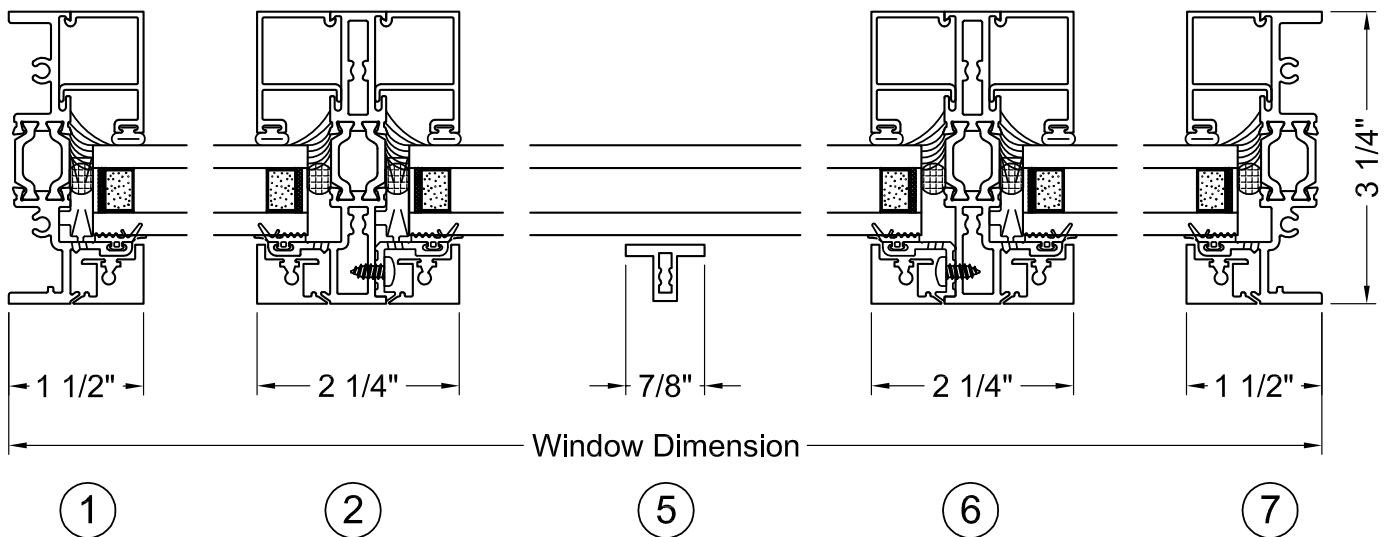
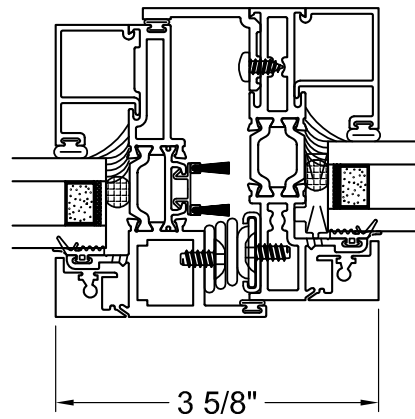


Typical Elevation

3



4



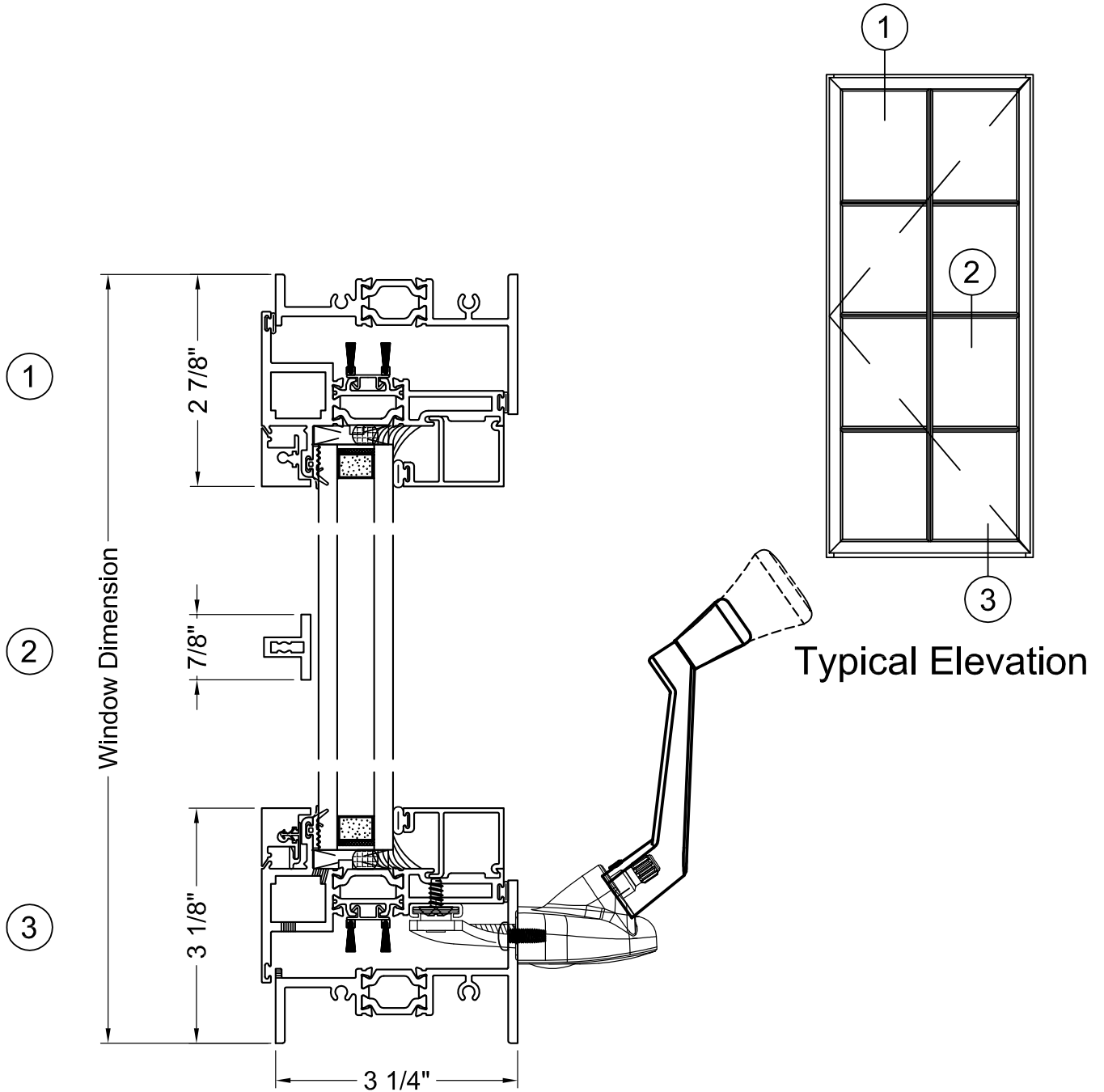
Note: Multiple configuration options available. Contact your EFCO representative for more information.

Scale: 6" = 1'-0"



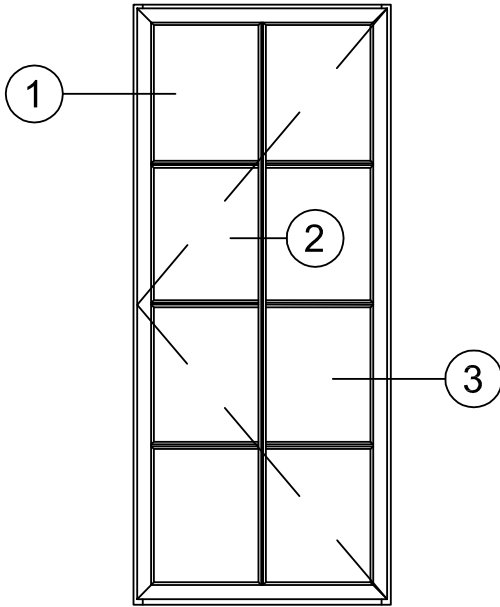
# 590X 3-1/4" Steel Replica Window

## Outswing Casement - Horizontal Details

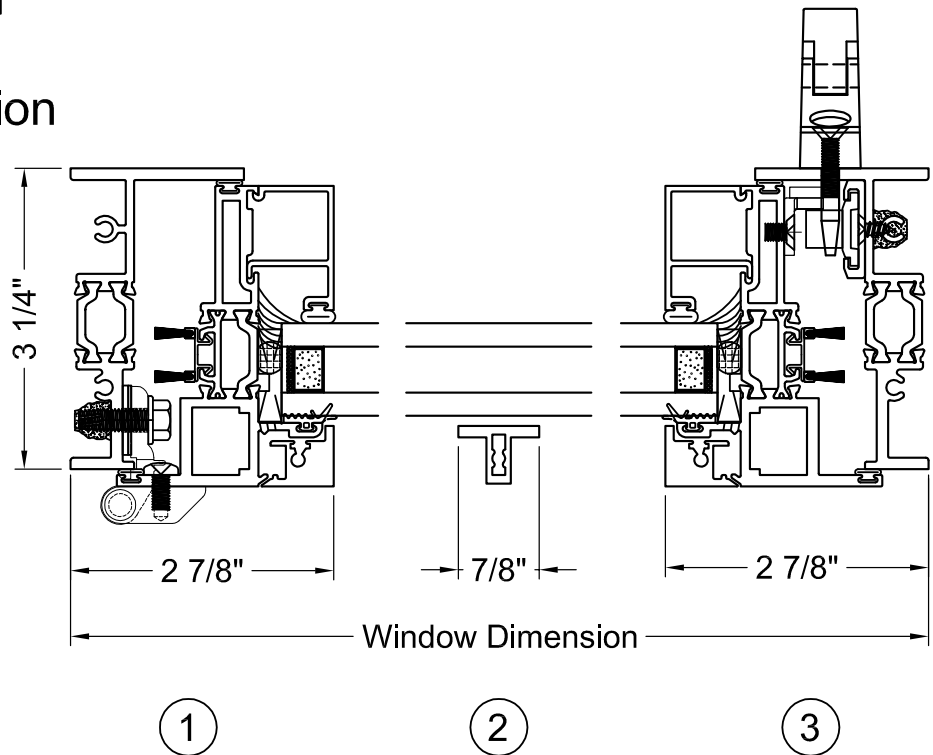


Scale: 6" = 1'-0"

Note: Multiple configurations and hardware options available. Contact your EFCO representative for more information.



Typical Elevation



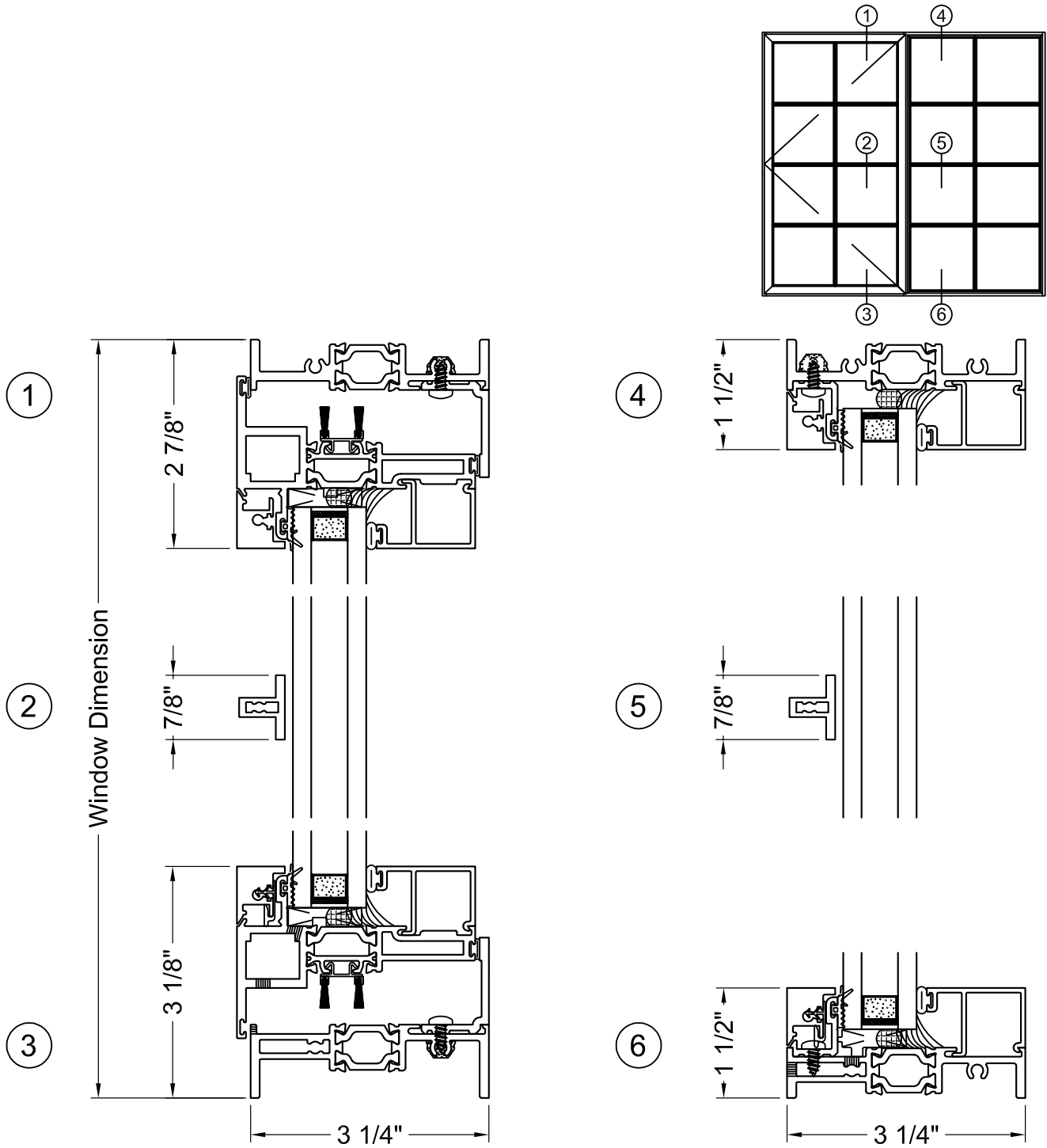
Note: Multiple configuration options available. Contact your EFCO representative for more information.

Scale: 6" = 1'-0"



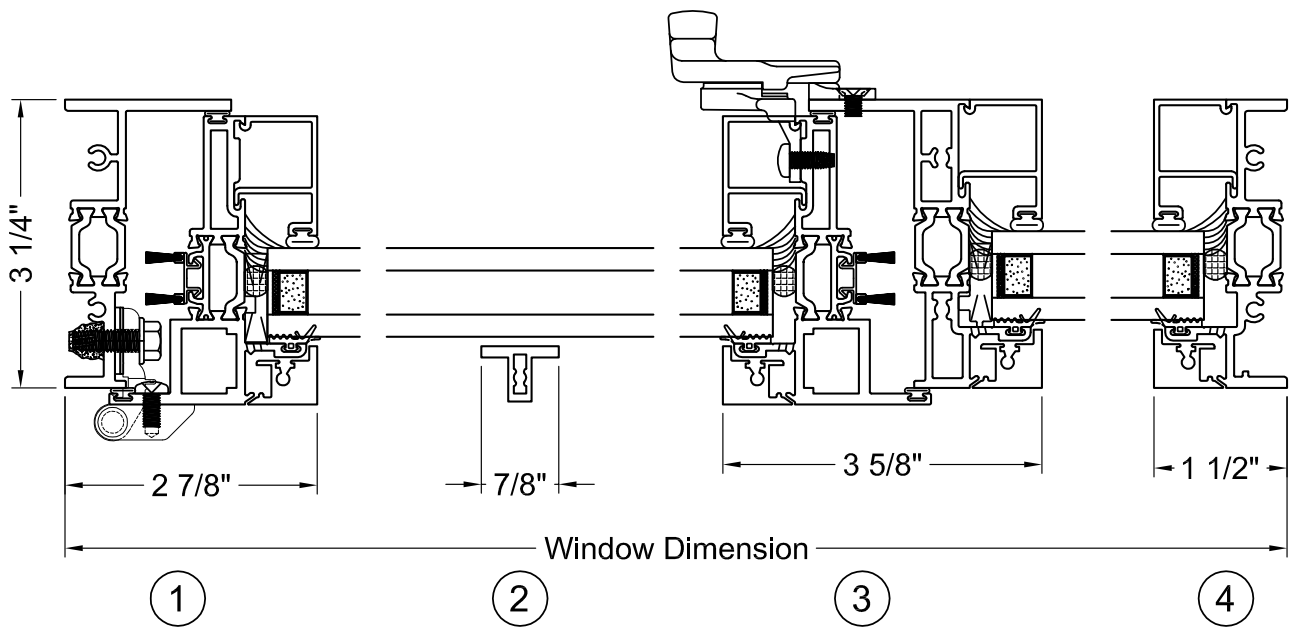
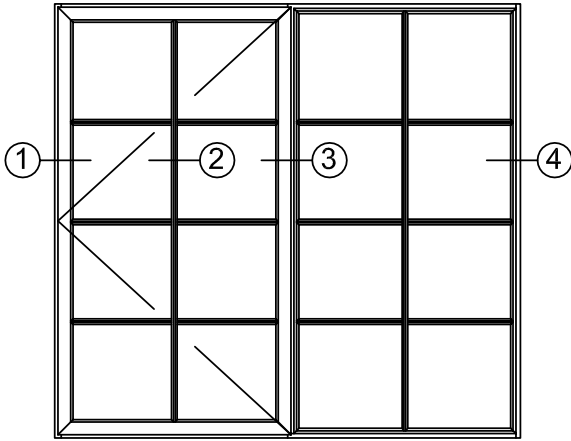
# 590X 3-1/4" Steel Replica Window

Outswing Casement | Fixed - Horizontal Details



Scale: 6" = 1'-0"

Note: Multiple configurations and hardware options available. Contact your EFCO representative for more information.



Note: Multiple configuration options available. Contact your EFCO representative for more information.

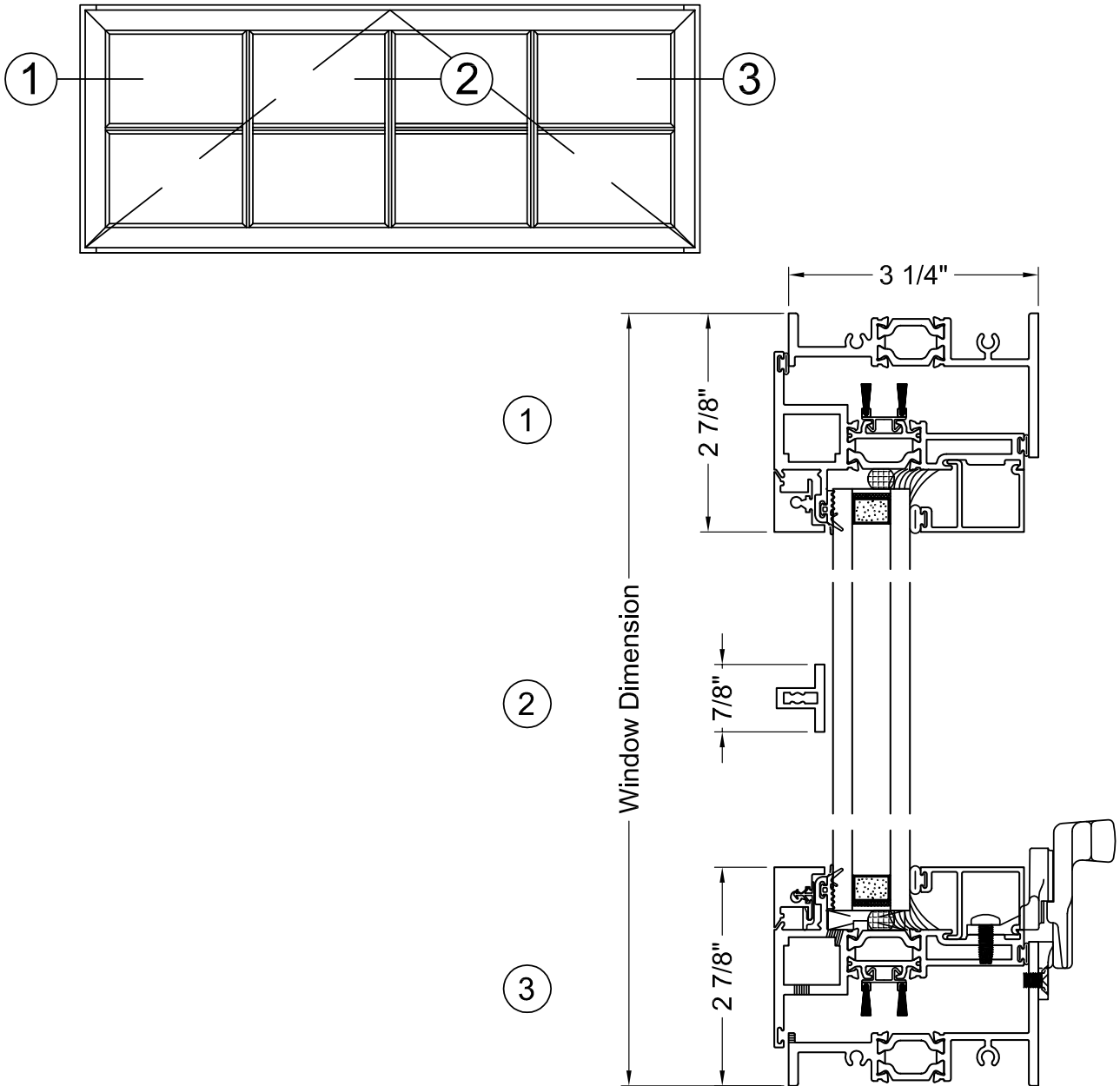
Scale: 6" = 1'-0"





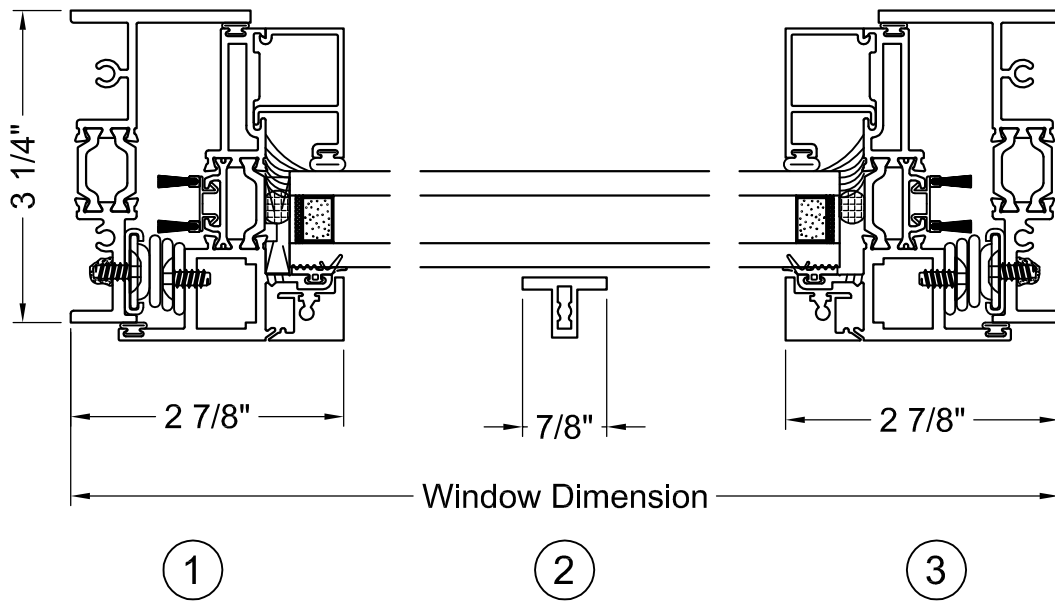
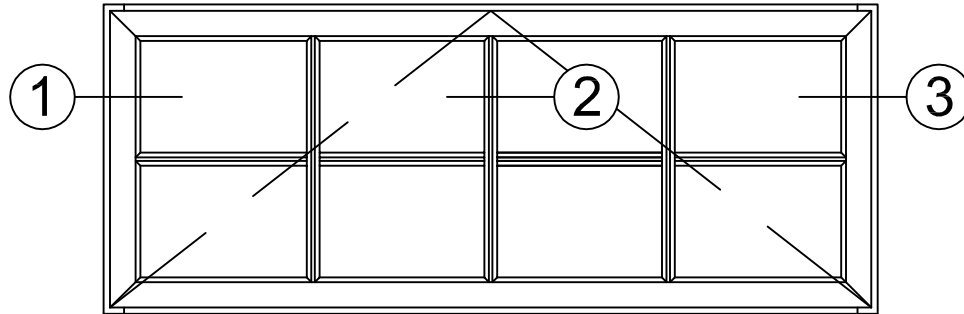
# 590X 3-1/4" Steel Replica Window

## Project Out - Horizontal Details



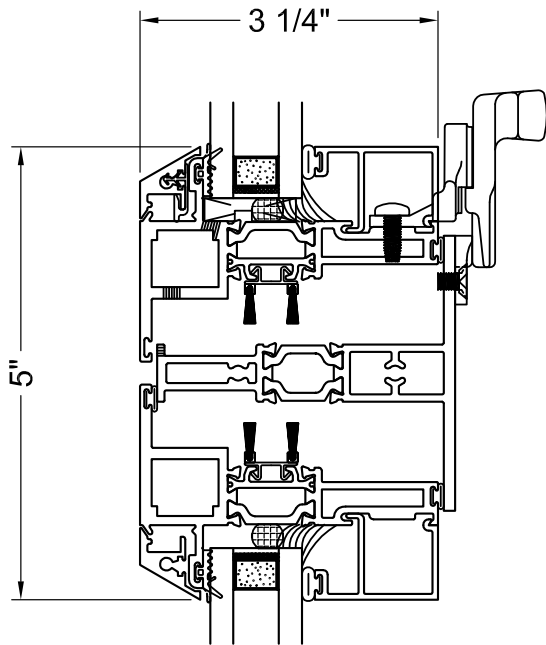
Scale: 6" = 1'-0"

Note: Multiple configurations and hardware options available. Contact your EFCO representative for more information.

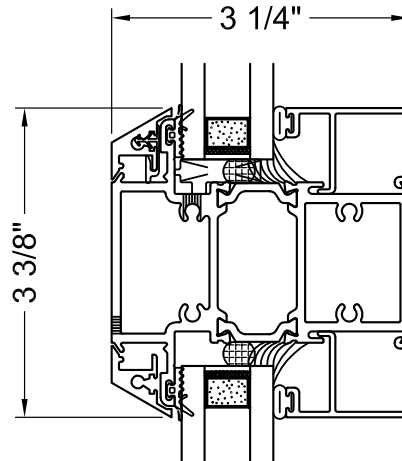


Note: Multiple configuration options available. Contact your EFCO representative for more information.

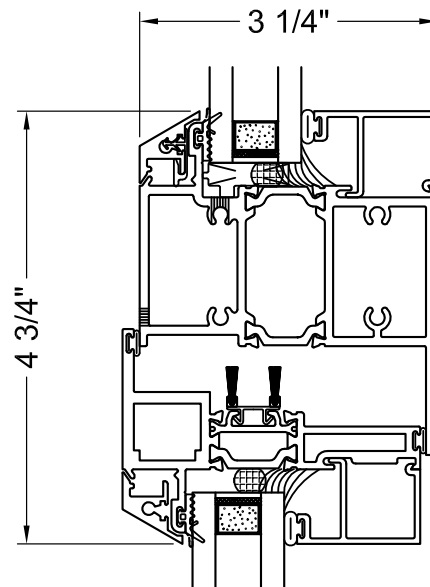
Scale: 6" = 1'-0"



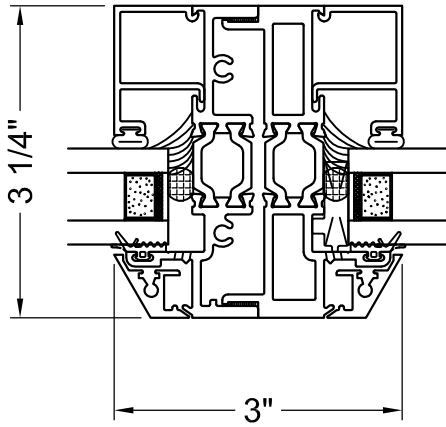
PO / PO Meeting Rail



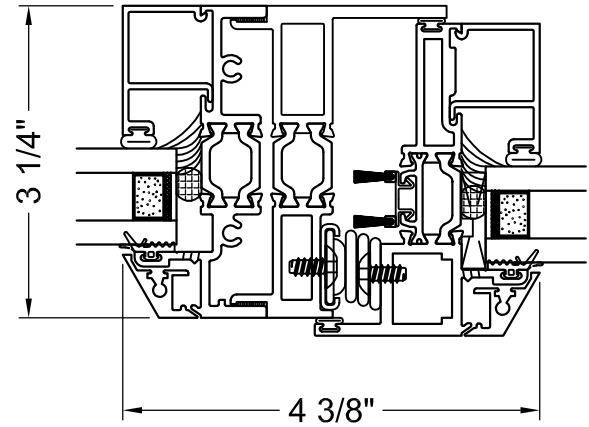
Wide FX / FX Meeting Rail



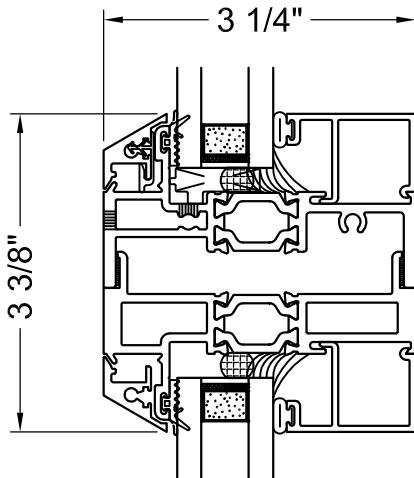
Wide FX / PO Meeting Rail



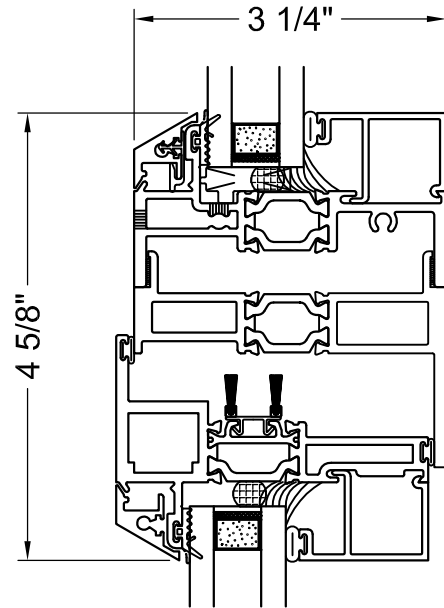
Stack FX | FX



Stack Fixed | PO



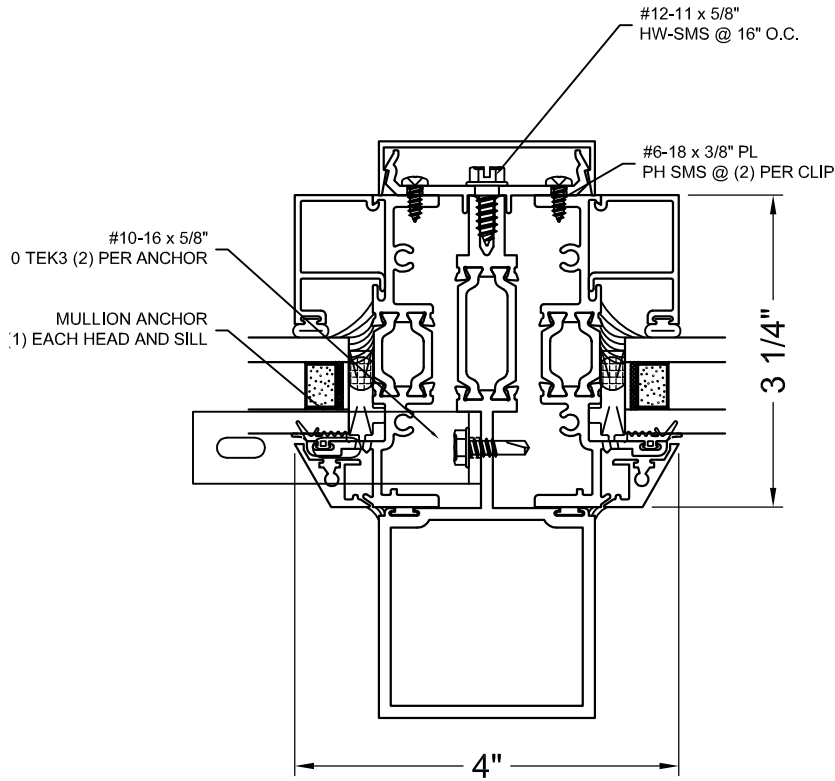
Stack FX / FX



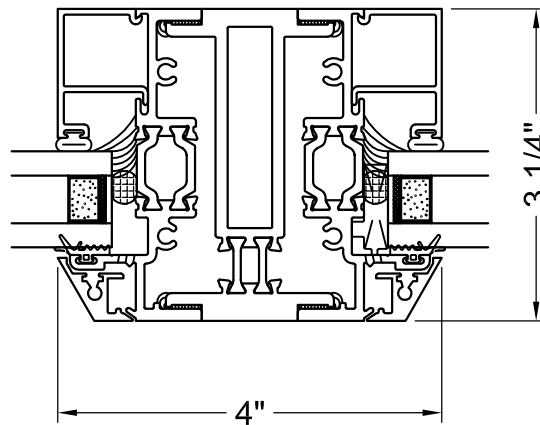
Stack Fixed / PO

Note: Multiple stack options available. Contact your EFCO representative for more information.

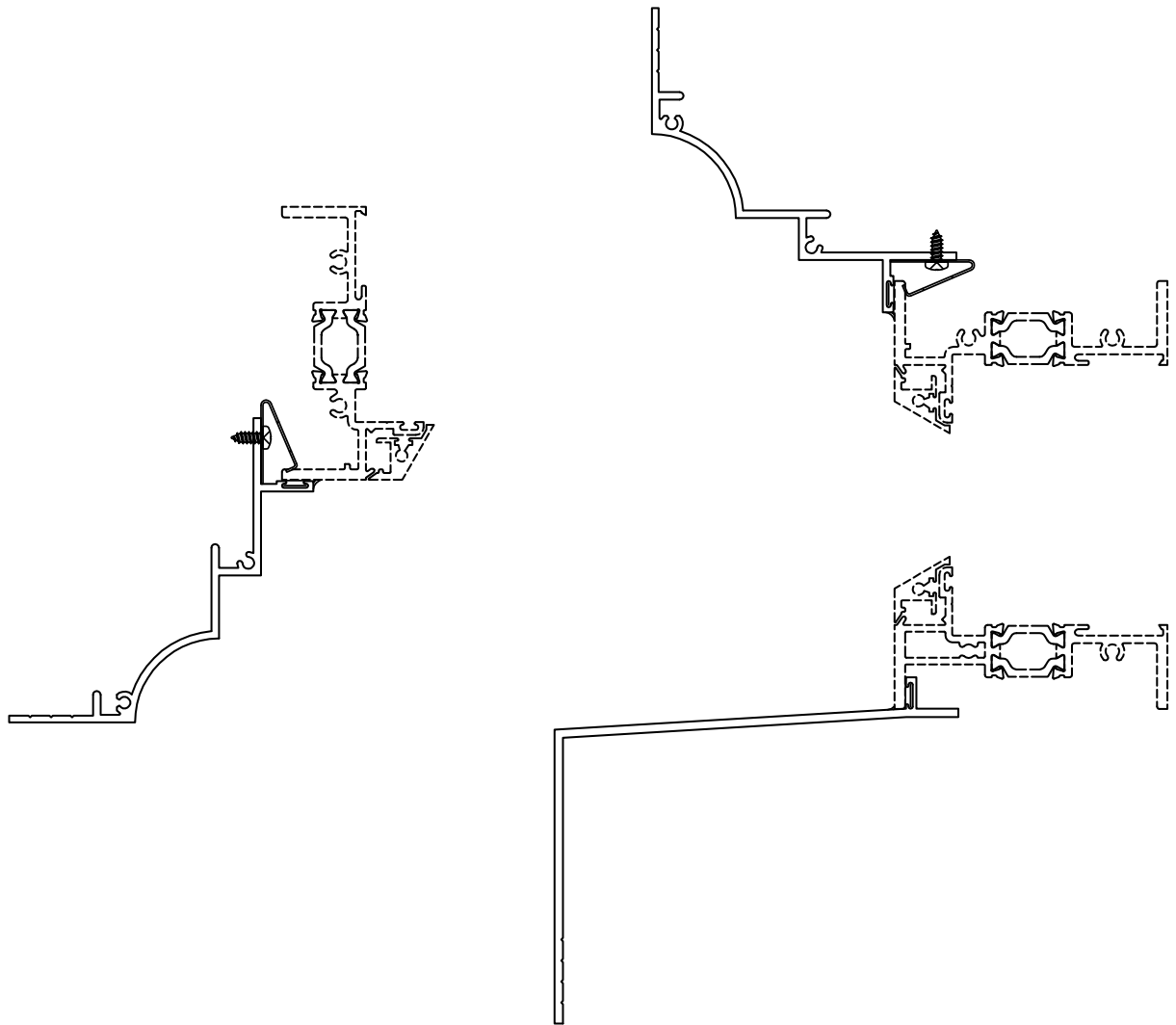
Scale: 6" = 1'-0"



### 3-Piece Mullion



### Stacking Mullion



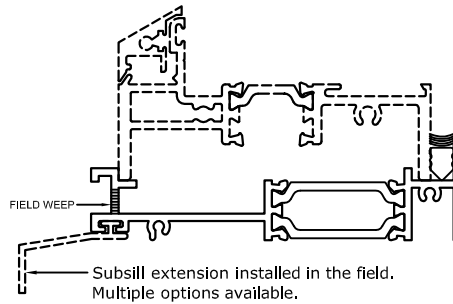
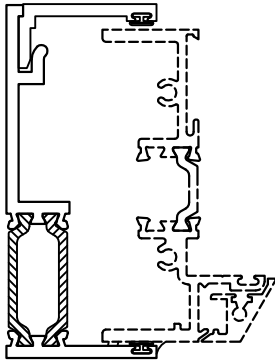
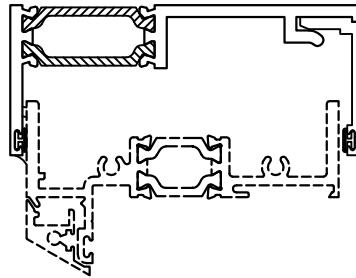
Note: Multiple panning options available. Contact your EFCO representative for more information.

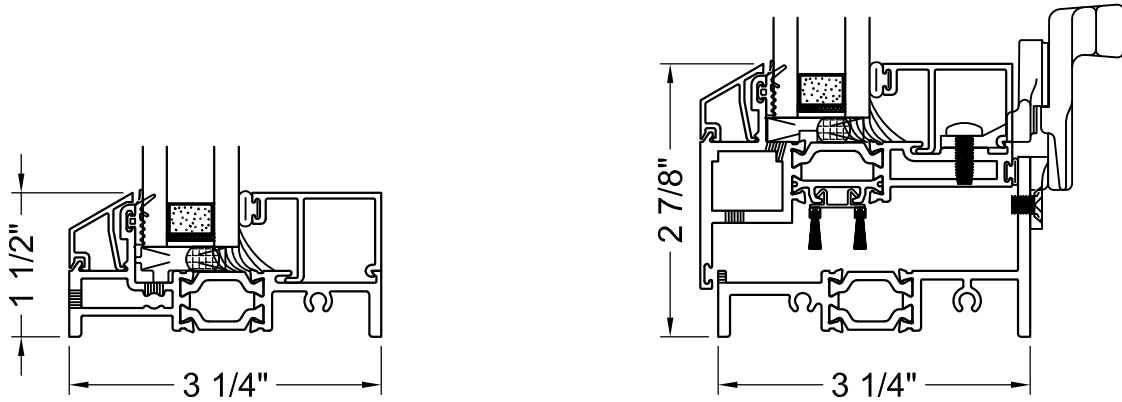
Scale: 6" = 1'-0"



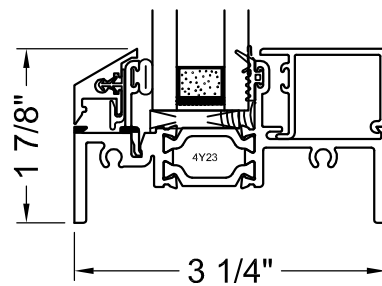
# 590X 3-1/4" Steel Replica Window

## Subframe (Receptor) Details





Perimeter Grid Only



OG Frame

Scale: 6" = 1'-0"