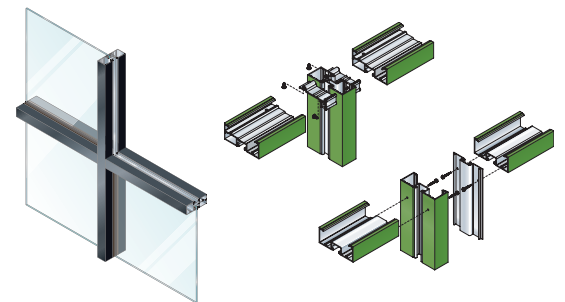


# SERIES 401 STOREFRONT FRAMING



Shear Block • Screw Spline • Can Receptor  
 Series 401 is an economical 1-3/4" X 4-1/2" flush glaze system available in both shear block and screw spline fabrication methods. Series 401 Storefront can accommodate all standard 1 3/4" and 2" entrances as well as WV410 vents. Vertical mullions will accept steel reinforcement to enhance structural performance.



<p><b>STRUCTURAL LOAD</b>                  (ASTM E330)</p> <p>→ VISIT <a href="http://EFCOCORP.COM">EFCOCORP.COM</a></p>	<p><b>WATER RESISTANCE</b>                  (ASTM E547 &amp; E331)</p> <p>SCREW SPLINE: 12 PSF                  SHEAR BLOCK: 10 PSF</p>
<p><b>AIR INFILTRATION</b>                  (ASTM E283)</p> <p>&lt;0.06 CFM/FT<sup>2</sup></p>	<p><b>CRF</b>                  (AAMA 1503)</p> <p>N/A</p>
<p><b>U-FACTOR*</b>                  (ANSI/NFRC 100/200)</p> <p>N/A</p>	<p><b>OITC*</b>                  (ASTM E90 &amp; E413)</p> <p>SCREW SPLINE: 26</p>
<p><b>STC*</b>                  (ASTM E90 &amp; E413)</p> <p>SCREW SPLINE: 26</p>	

## STANDARD FEATURES

- Two fabrication / erection options (screw spline, shear block)
- Open back and shear block door frames with transom bars and rubber weather stripping
- The same glazing gasket used for exterior and interior
- Accommodates from 3/16" to 3/8" glazing
- 2-way corner mullions (90° & 135°)
- 3-way corner mullions (T-mullions)
- 0° - 15° and 15° - 30° variable mullions
- Various height intermediate horizontals and sills
- Accessory line of perimeter anchors, pocket fillers, and door adaptors, etc.
- Anodized and painted finishes available

\* Performance dependent on glass selection. Please contact your EFCO sales rep for project specific performance.